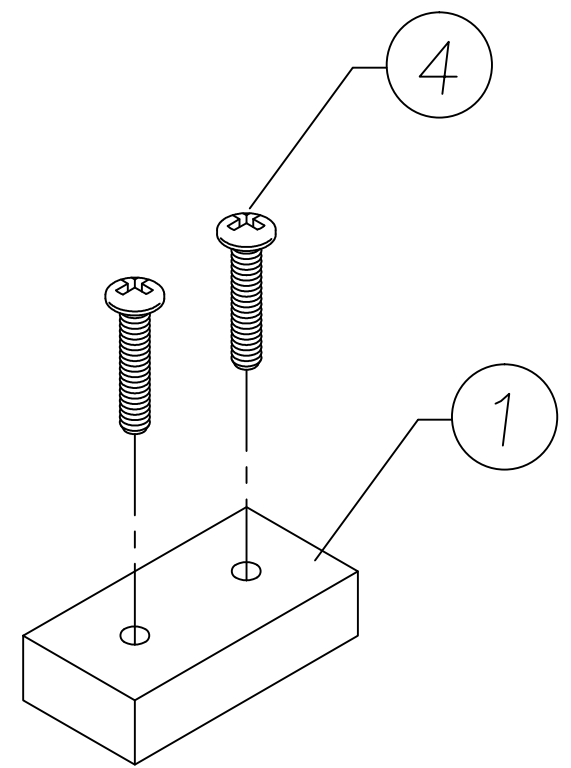
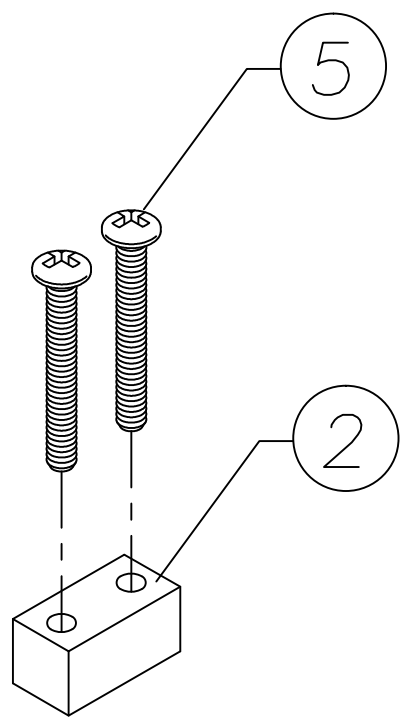
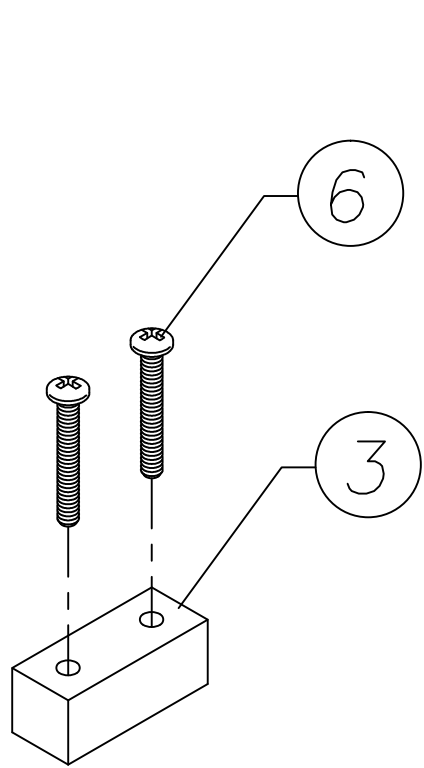


REVISIONS			
REV.	DESCRIPTION	DATE	APPROVED
B	REVISE SCREW TYPES	12/28/2006	JAG



FILE NO.
FC20501B

		UNLESS OTHERWISE SPECIFIED DIMENSIONS ARE IN INCHES (MM) TOLERANCES ARE: .XX .XXX ANGLES ± 0.010 ± 0.005 $\pm 1/2^\circ$	H+W TEST PRODUCTS SEEKONK, MASSACHUSETTS	
		MATERIAL SEE NOTES	1/2" [12.7] RISER BLOCK SET MECHANICAL KIT	
		FINISH SEE NOTES	SIZE B	FSCM NO. DWG. NO. FC20501
NEXT ASSY	USED ON		REV. B	
APPLICATION		DO NOT SCALE DRAWING	SCALE FULL	DRAWN JAG 02/16/2000 SHEET 1 OF 1