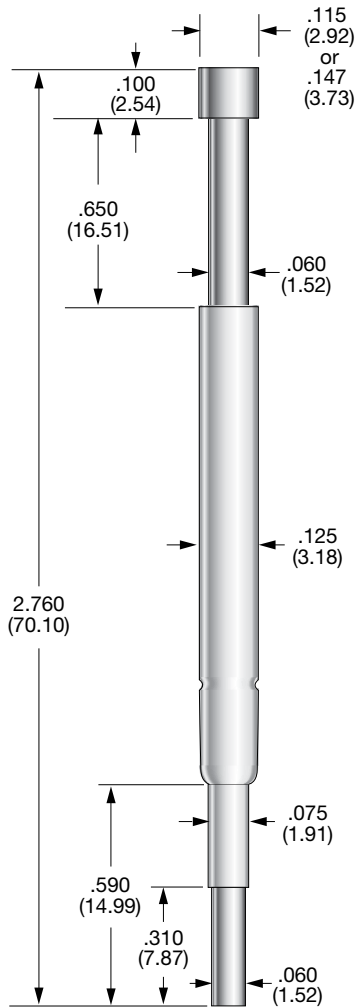


SIZE 5 SWITCH PROBE



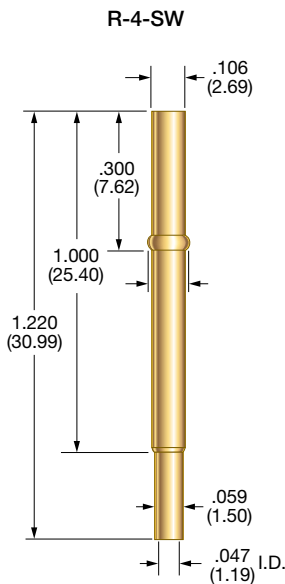
PROBE SPECIFICATIONS

Minimum Centers: .187 (4.75)
Current Rating: 3 amps continuous
Maximum Travel: .190 (4.83)
Working Travel: .137 (3.48)
Travel to Switch Point: .030 (0.76)
Spring Force at Switch Point: 4.0 or 10.3 oz.

Rated Force oz. (g)	Force @ Switch oz. (g)	Preload oz. (g)	Material
8.6 (244)	4.0 (113)	1.8 (51)	SS
20.4 (579)	10.3 (293)	5.2 (148)	MW

MATERIALS

Barrel: Nickel/silver, silver plated
Spring: Music wire or stainless steel
Plunger: Beryllium copper, nickel plated
Insulator: Delrin
Contact: Beryllium copper, nickel plated



PROBE SPECIFICATIONS

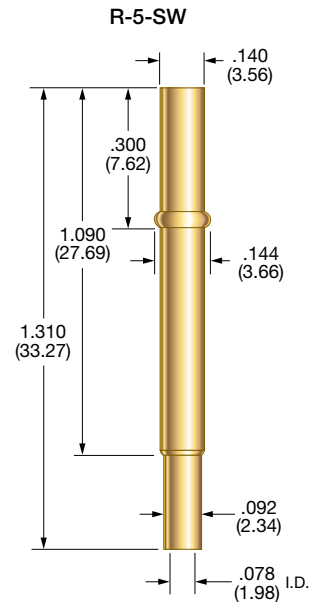
Minimum Centers: .156 (3.96)
Drill Size: #35
Mounting Hole Size:
 .108/.110 (2.74/2.79)

MATERIALS

Nickel/silver, gold plated

HOW TO ORDER

R-4-SW



PROBE SPECIFICATIONS

Minimum Centers: .187 (4.75)
Drill Size: 3.6mm
Mounting Hole Size:
 .141/.143 (3.58/3.63)

MATERIALS

Nickel/silver, gold plated

HOW TO ORDER

R-5-SW

HOW TO ORDER

SW	5	F	4.0	EN	115
SPRING CONTACT PROBE	SIZE	TIP STYLE	SPRING FORCE AT SWITCH	PLATING OPTIONS	HEAD DIAMETER
	SIZE: 3, 4 OR 5	SIZE 3: CS SIZE 4: C SIZE 5: F	SIZE 3: 1.8 SIZE 4: 4.4 SIZE 5: 4.0,10.3	SIZE 3: G-GOLD SIZE 4: EN-NICKEL SIZE 5: EN-NICKEL	SIZE 5: 115 OR 147

VIEW UPDATES OF THIS INFORMATION AT WWW.IDINET.COM

Specifications subject to change without notice. Dimensions in inches (millimeters)