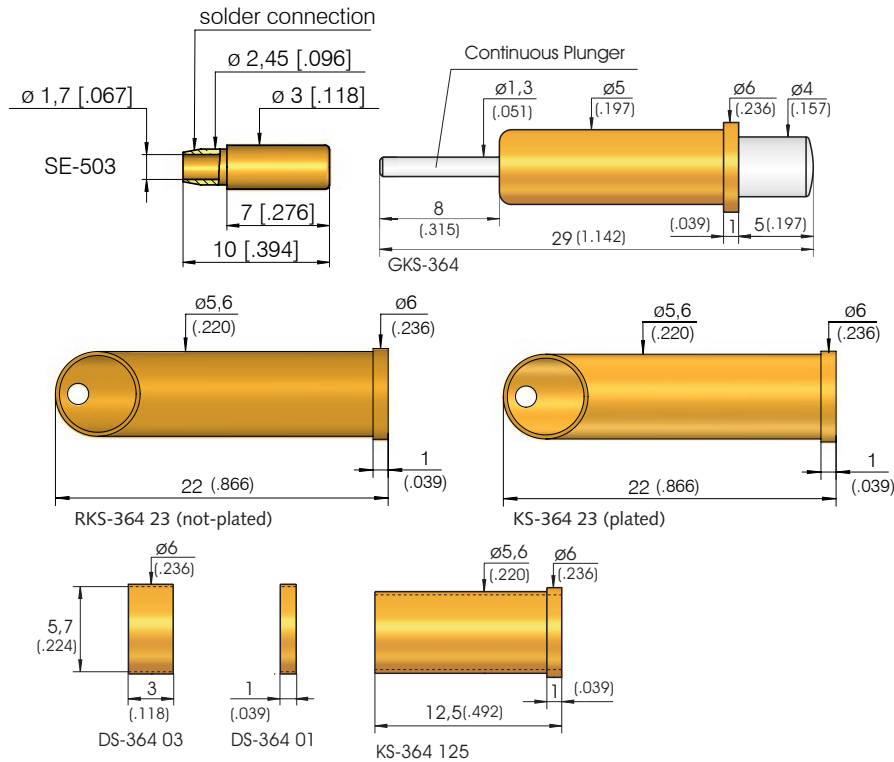


Grid:
 ≥ 6,50 mm
 ≥ 260 Mil

Installation height with KS: 7,0 mm (.276)
Recommended stroke: 4,0 mm (.157)

Mounting and functional dimensions



| Available tip styles | | | | |
|----------------------|-----------|---------|--------------------|---------------|
| Material | Tip style | Plating | Further versions | |
| | | | ϕ | ϕ (inch) |
| 2 01* | | N | $\phi 4,00$ (.157) | |
| 2 04 | | N | $\phi 4,00$ (.157) | |
| 2 05 | | N | $\phi 4,00$ (.157) | |
| 2 06 | | N | $\phi 4,00$ (.157) | |

* Angle of tip 60°

Mechanical data

Working stroke: 4,0 mm (.157)
Maximum stroke: 5,0 mm (.197)
Spring force at work. stroke: 1,5 N (5.4oz)
Alternative: 0,6 N (2.2oz); 3,0 N (10.8oz), 8,0 N (28.9oz)

Electrical data

Current rating, conn. to plunger: 15-20 A
Current rating, connection to KS: 5 - 8 A
R_i typical, connection to plunger: < 10 m Ω
R_i typical, connection to KS: < 30 m Ω
 (** < 100 m Ω)

Operating temperature

Standard: -40° up to +80° C
****with 1,5 and 3,0 N-spring:** -100° up to +200° C

Materials

Plunger: Steel, nickel-plated
Barrel: Brass, gold-plated
Spring: Steel, gold-plated or stainless steel**

Receptacles:

RKS-364 23: Brass, not plated
 KS-364 125: Brass, gold-plated

Mounting hole size

with receptacle: $\phi 5,59 - 5,60$ mm (.2201 - .2205)
without receptacle: $\phi 5,00$ mm (.1969)

Ordering example

| | Series | Tip material 2 = Steel | Tip style | Tip diameter (1/100 mm) | Plating N = Nickel | Spring force (dN) | Collar height (mm) |
|--|-------------------|---------------------------|-----------------|----------------------------|-----------------------|----------------------|-----------------------|
| Test probe: | G K S | 3 | 6 4 | 2 0 4 | 4 0 0 | N | 1 5 0 1 |
| Receptacles: | R K S - 3 6 4 2 3 | | K S - 3 6 4 2 3 | | | K S - 3 6 4 1 2 5 | |
| Spacer for receptacle: | D S - 3 6 4 0 3 | | | | | | |
| Lamellar plug: (for plugging onto the end of the plunger) | S E - 5 0 3 | | | | | | |