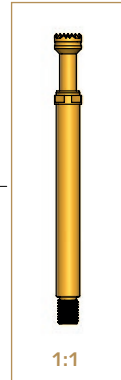
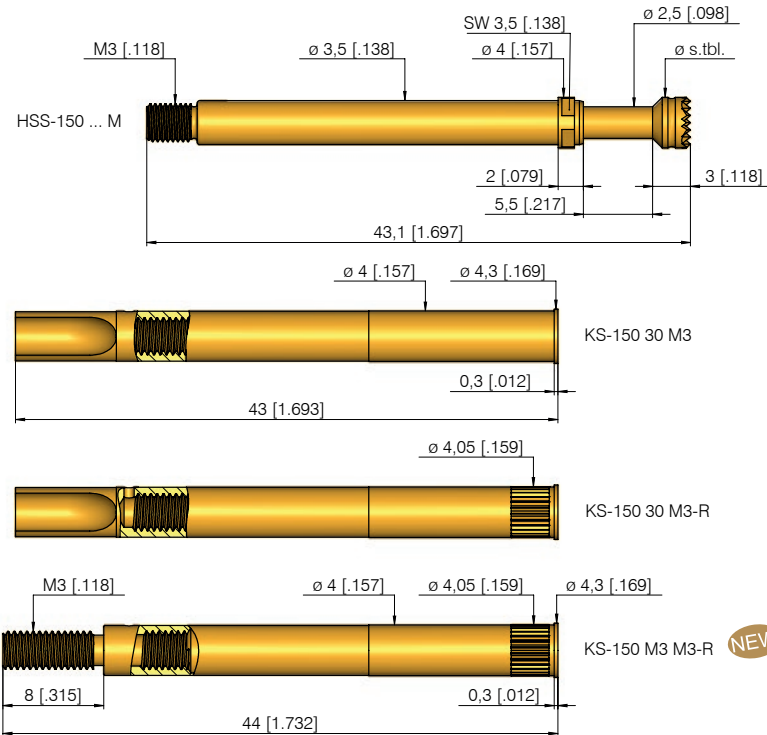


**Grid:**  
≥ 5,08 mm  
≥ 200 Mil

**Installation height with KS:** 10,8 mm (.425)  
**Recommended stroke:** 4,4 mm (.173)

## Mounting and functional dimensions



		Available tip styles		
Material	Tip style	Plating	Further versions	
			∅	∅ (inch)
3 02		A	∅ 4,00 (.157)	
3 03		A	∅ 4,00 (.157)	
3 05*		S	∅ 4,00 (.157)	
3 06		A	∅ 4,00 (.157)	3,00 (.118)
3 17		A	∅ 3,00 (.118)	
3 19		A	∅ 4,00 (.157)	

\* pressed-in silver stud

### Compatible GKS

GKS-854 M (assembled in same receptacle)

### Materials

**Plunger:** BeCu, gold-plated or silver stud  
**Barrel:** Brass, silver-plated  
**Spring:** Stainless steel, gold-plated  
**Receptacle:** Brass, gold-plated

### Operating temperature

**Standard:** -100° up to +200° C

### Mounting hole size

for **KS-150 30 M3** in CEM1 and FR4: ∅ 3,99 mm (.1571)  
for **KS-150 30 M3-R + KS-150 M3 M3-R** in CEM1 and FR4: ∅ 4,00 - 4,02 mm (.1575 - .1583)

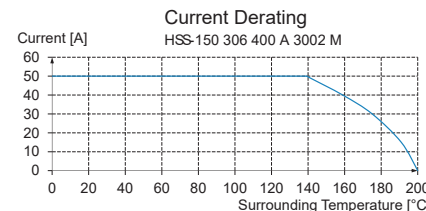
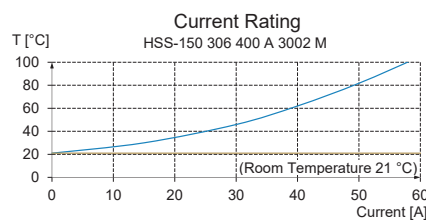
### Recommended screw-in torque

Min. 10 cNm / Max. 20 cNm

### Electrical data

**Current rating (at room temp.):** max. 50 A  
(for short loads up to 80 A)

**R<sub>i</sub> typical:** < 10 mΩ



### Mechanical data

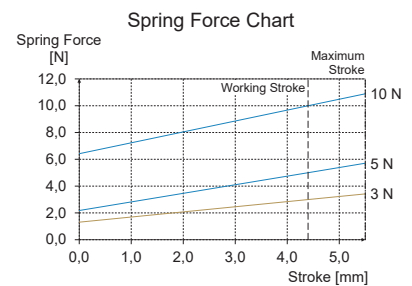
**Working stroke:** 4,4 mm (.173)

**Maximum stroke:** 5,5 mm (.217)

**Spring force at work. stroke:** 3,0 N (10.8oz)

**Alternative:** 5,0 N (18.1oz);

10 N (36oz) ("99" in order number)



## Ordering example

Series	Tip material	Tip style	Tip diameter (1/100 mm)	Plating	Spring force (dN)	Collar height (mm)	Type
	3 = BeCu			A = Gold S = Silver			
Test probe:	HSS	150	306	400	A	30	02 M
Receptacles:	KS-150	30 M3	KS-150	30 M3-R	KS-150	M3 M3-R	