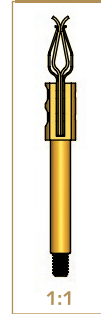
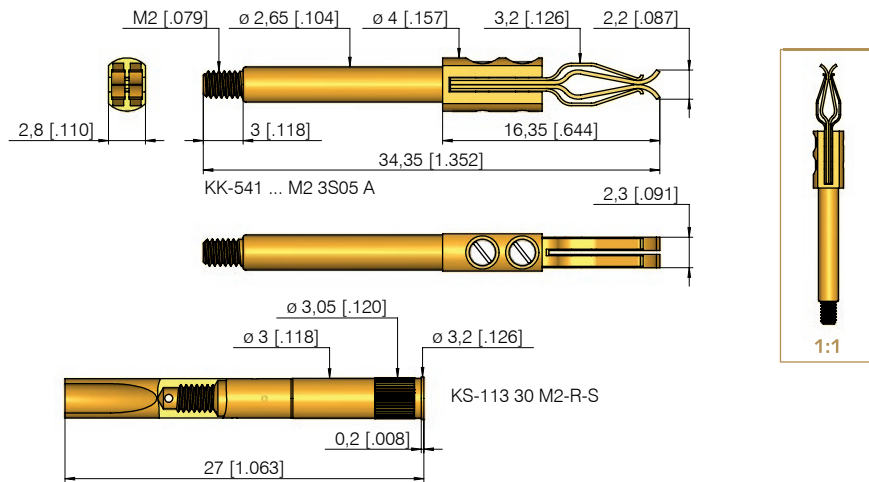


Grid:  
≥ 3,50 mm  
≥ 140 Mil

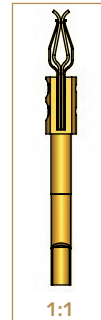
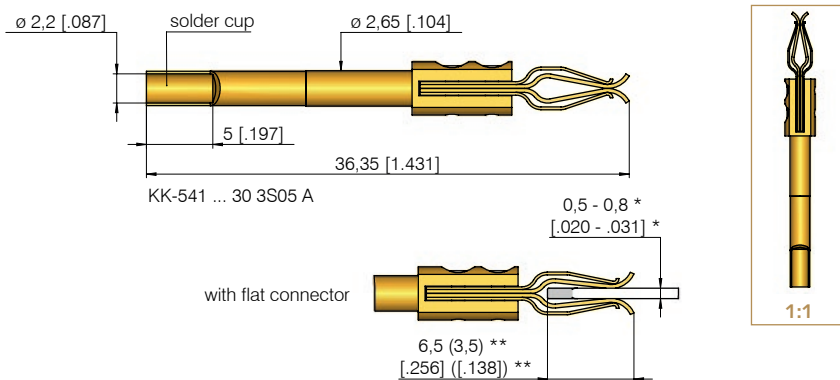
Installation height with KS: 16,6 mm (.654)  
Recommended stroke: 5,0 mm (.197)

## Mounting and functional dimensions

### KK-541 to screw-in



### KK-541 to press-in



**Note:**

The contact clip **KK-541** offers reliable contacting of flat connectors on the outer surface. Even under harsh testing conditions with vibrations, contamination, and longer test cycles, the **KK-541** proves to be most suitable due to its double spring clip design.

#### Materials

**Spring clip:** BeCu, gold-plated  
**Barrel:** Brass, gold-plated  
**Receptacle:** Brass, gold-plated

#### Electrical data

**Current rating (at room temp.):** max. 20 A  
**R<sub>j</sub> typical:** < 5 mΩ

#### Flat connector to be contacted

**Min. length:** 3,5 mm (.138)  
**Thickness flat connector\*:** 0,5 - 0,8 mm (.020 - .031)

#### Operating temperature

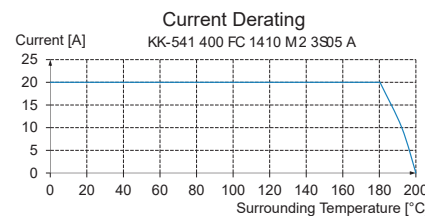
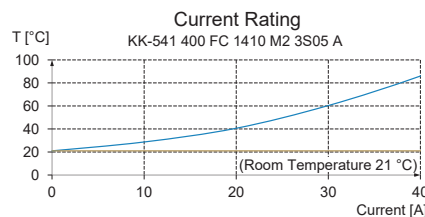
**Standard:** -100° up to +200° C

#### Mounting hole size

**for KS-113 30 M2-R-S in CEM1 and FR4:** ∅ 3,00 - 3,02 mm (.1181 - .1189)  
**for KK-541 to press-in:** ∅ 2,64 mm (.1043)

#### Recommended tightening torque

KK-541 in KS-113: 10 cNm



#### Mechanical data

**Min. immersion depth\*\*:** 3,5 mm (.138)  
**Max. immersion depth\*\*:** 6,5 mm (.256)  
**Working stroke:** 5,0 mm (.197)

## Ordering example

Contact clip (for receptacle):

KK 541 400 FC 1410 M2 3S05 A

Contact clip (for press-fit):

KK 541 400 FC 1410 30 3S05 A

Receptacle:

KS-113 30 M2-R-S