

# HKR 694

High Current Clamps up to 15 A  
for Round Post- $\varnothing$  4,0 mm

NEW

Grid:

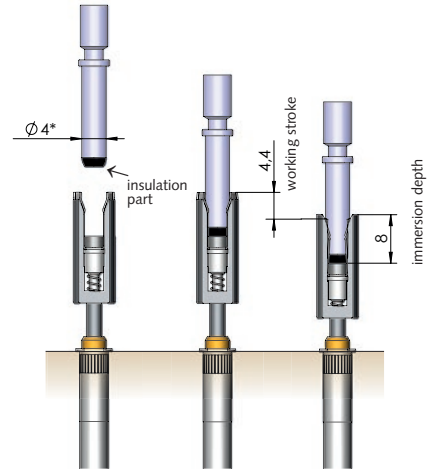
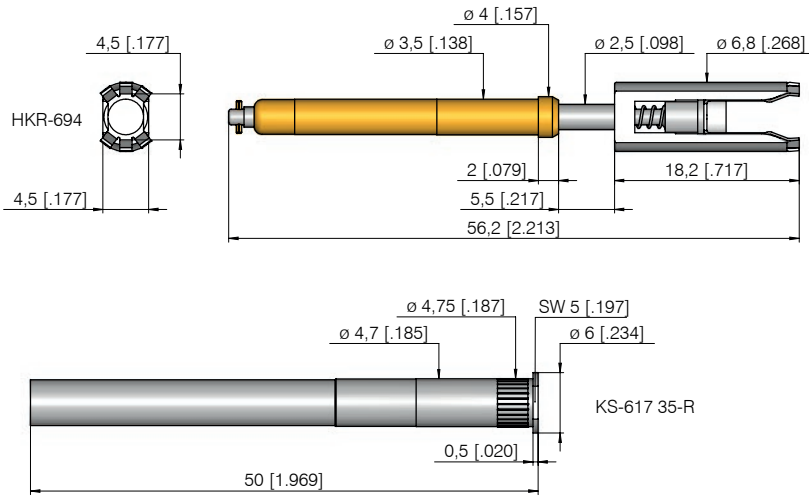
$\geq 5,5$  mm

$\geq 220$  Mil

Installation height with KS: 26,2 mm (1.031)

Recommended stroke: 4,4 mm (.173)

## Mounting and functional dimensions



Contacting example HKR-694,  $\varnothing$  4 mm

### Note:

The high current clamp HKR-694 was developed for plug connectors with 4 mm nominal diameter which are arranged in a small grid size. Grid size of 5,5 mm is possible due to the combination of lamellae and slim base body.

### Materials

**Spring lamellae:** bronze, silver-plated  
**Barrel:** Brass, gold-plated  
**Spring:** Stainless steel  
**Receptacle:** Brass, silver-plated

### Operating temperature

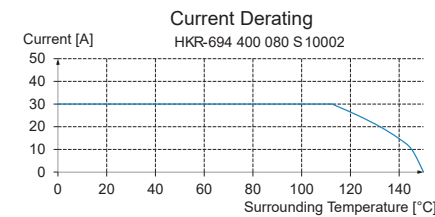
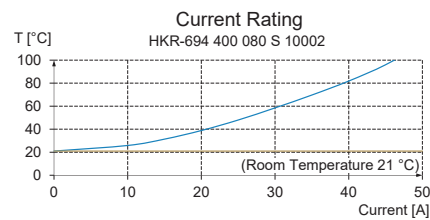
**Standard:** -100° up to +200° C

### Mounting hole size

for KS-617 35-R  
in CEM1 and FR4:  
 $\varnothing$  4,68 mm (.184) - 4,72 mm (.186)

### Electrical data

**Current rating (at room temp.):** max. 15 A



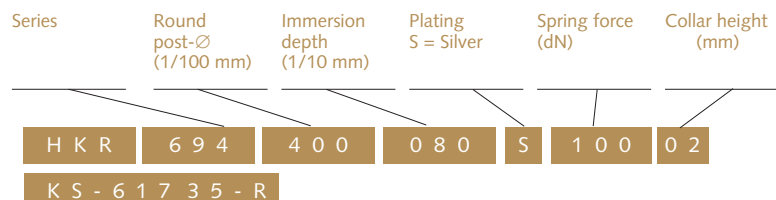
### Round post to be contacted

**Min. immersion depth bolt:** 8 mm (.315)  
**Round post- $\varnothing$ \*:** 4,0 mm  $\pm$  0,2 mm (.157  $\pm$  .008)

### Mechanical data

**Min. immersion depth bolt:\*\*** 8 mm (.315)  
**Working stroke:** 4,4 mm (.173)  
**Max. working stroke:** 5,5 mm (.217)  
**Spring force at working stroke:** 10 N (36oz)

## Ordering example



High current clamp:

Receptacle: