



### Vacuum Test Fixtures

#### VA 2040/D/H/MTS 100

**Part No. 10932** Usable Area: 430 x 310 mm\*; Outside Dimensions: 550 x 450 x 150 mm (w x d x h)

#### VA 2030/D/H/MTS 200

**Part No. 8234** Usable Area: 340 x 220 mm\*; Outside Dimensions: 460 x 330 x 150 mm (w x d x h)

#### VA 2040/D/H/MTS 200

**Part No. 4758** Usable Area: 430 x 310 mm\*; Outside Dimensions: 550 x 450 x 150 mm (w x d x h)

#### VA 2601-2/E/D/H/MTS 200 (dual-stage Version)

**Part No. 16509** Usable Area: 390 x 300 mm\*; Outside Dimensions: 550 x 450 x 155 mm (w x d x h.)

#### VA 2040/D/H/MTS 300

**Part No. 18000** Usable Area: 430 x 310 mm\*; Outside Dimensions: 575 x 510 x 170 mm (w x d x h)

#### VA 2601-2/E/D/H/MTS 300 (dual-stage Version)

**Part No. 18510** Usable Area: 390 x 300 mm\*; Outside Dimensions: 575 x 510 x 175 mm (w x d x h)

### Vacuum Interchangeable Fixtures

#### VIN 423/D/H/MTS 300 (Interchangeable Fixture)

**Part No. 18060** Outside Dimensions (Basic Unit): 575 x 510 x 170 mm (w x d x h)

**Part No. 1385** ATS 423 (Replacement Kit); Usable Area: 410 x 250 mm\*

#### VIN 423-2/D/H/MTS 300 (Interchangeable Fixture/dual-stage Version)

**Part No. 18512** Outside Dimensions (Basic Unit): 575 x 760 x 250 mm (w x d x h)

**Part No. 18364** ATS 423-2 (Replacement Kit dual-stage); Usable Area: 390 x 230 mm\*

#### VIN 2040/D/H/MTS 300 (can also be used as dual-stage Base Unit)

**Part No. 31269** Outside Dimensions: 575 x 510 x 170 mm (w x d x h)

More details of the VIN can be found on pages 35 and 36.

### Manual Test Fixtures

#### MA 2112/D/H/S-7/MTS 300

**Part No. 32958** Usable Area: 295 x 250 mm\*; Outside Dimensions: 574 x 572 x 269 mm (w x d x h)

#### MA 2112/D/H/S-7/MTS 100

**Part No. 33045** Usable Area: 295 x 250 mm\*; Outside Dimensions: 538 x 582 x 263 mm (w x d x h)

#### MA 2113/D/H/S-10/MTS 300

**Part No. 33443** Usable Area: 450 x 320 mm\*; Outside Dimensions: 620 x 585 x 295 mm (w x d x h)

#### MA 2113-2/D/H/MTS 300

**Part No. 33653** Usable Area: each 155 x 250 mm\*; Outside Dimensions: 620 x 585 x 315 mm (w x d x h)

#### MA 2112-2/D/H/S-7/MTS 300

**Part No. 33667** Usable Area: 295 x 250 mm\*; Outside Dimensions: 620 x 585 x 295 mm (w x d x h)

#### MA 2113T/D/H/2xS-5/MTS 300

**Part No. 33380** Usable Area: each 155 x 250 mm\*; Outside Dimensions: 620 x 530 x 270 mm (w x d x h)

Replacement Kits see pages 10 and 11.

\* The outside dimensions of the PC-Board can in some cases be larger than the stated usable area.

**Customizing parts Digitaltest/OpensCheck**

- Part No. 18748** Opens Check complete Digitaltest

---

- Part No. 20544** Opens Check Connector

---

- Part No. 24335** Opens Check Standard

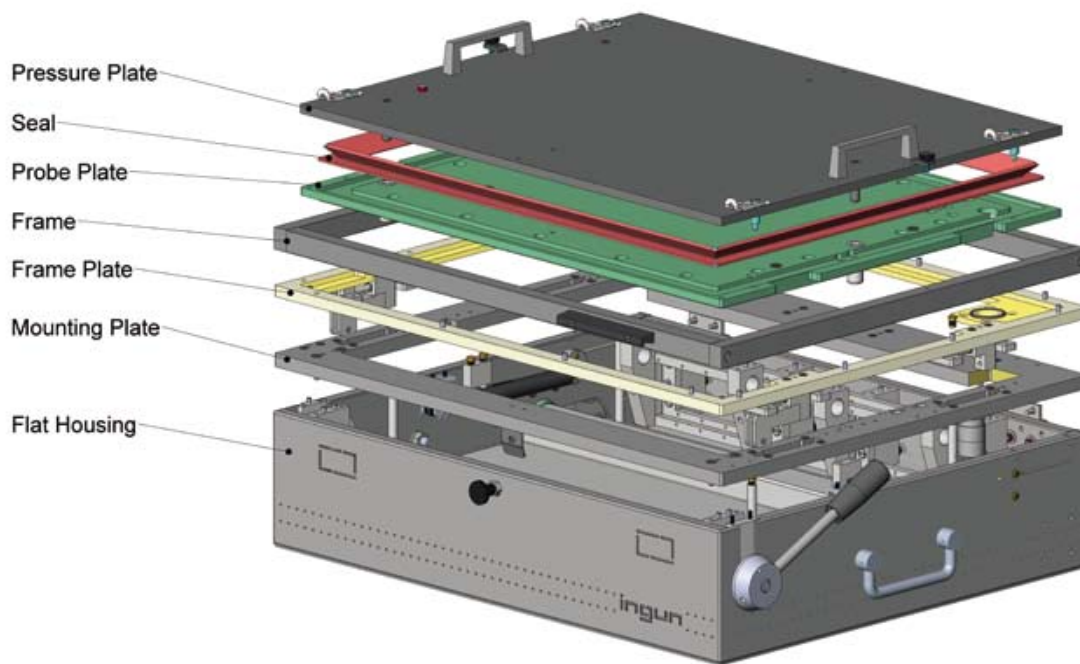
**Interface Materials**

- Part No. 13001** Male Connector 32-way a/c for MTS 100 – Assembly of Interface

---

- Part No. 3650** Contact Terminal KT 158 for MTS 200 and 300 – Assembly of Interface

*Detailed drawing of VIN 2040*



VA 2040/D/H/MTS 300