

## HFS-819 Contacting of HSD Plug Connectors

HSD Plug Connectors are used to transfer High-Speed Data (HSD) for navigation and entertainment in the automotive industry.

With the RF Probe **HFS-819** an innovative solution is available for contacting HSD Plug Connectors during routine test. Subsequently, with the **HFS-819**, data currents with high data-rating (e.g. LVDS signals, GVIF or USB) can be transferred genuinely.

An optimal alignment to the HSD Connector to be tested is achieved with the flexible mounting of the **HFS-819**. The assembly is carried out by means of a flange and the connection by means of a screw-in coded connector.



HSD Plug Connector



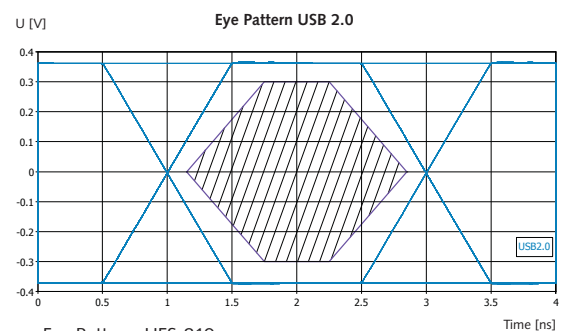
HFS-819

### Technical Data:

Series:	<b>HFS-819</b>
Transfer rate:	up to 1.6 Gbit/sec.
Working stroke: Outer Conductor:	5 mm
Max. Stroke: Outer Conductor:	6 mm
Spring-force Outer Conductor by Working Stroke:	7.5 N
Centering range:	±1.0 mm
Assembly:	by means of a Flange Coded Connector
Connection:	

### Order Description:

HFS-819 303 090 A 12743 F2 Z



Eye Pattern: HFS-819  
 Source: INGUN RF Lab

Please contact us for further information.  
 Prices and delivery time on request.  
 Technical changes possible without prior notification.

More innovative products can be found on our website or in our RF-catalog. Please pay special attention to our variety of High-frequency Test Probes.

