

HSS-100

PRODUCT INFORMATION High Current Test Probes

Grid:
 ≥ 2.54 mm
 ≥ 100 Mil
Installation height with KS: 16.0 mm

INGUN Prüfmittelbau GmbH
 Max-Stromeyer-Straße 162
 78467 Constance | Germany
 Tel. +49 7531 8105-0
 www.ingun.com

High current, low Ohm probe up to 16 A in 100 Mil grid

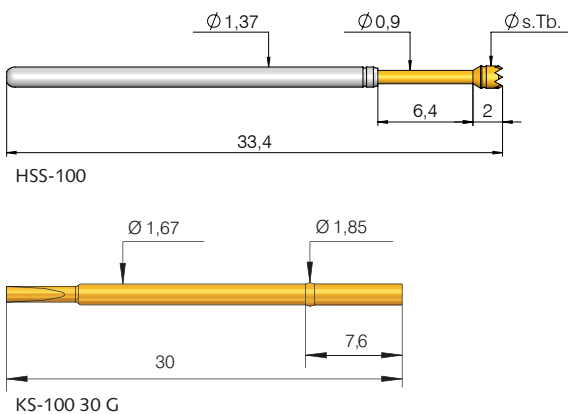
Features

- International standard high current probe (HSS) for grid size 100 Mil
- Compatible with the GKS-100 series
- Current load capacity up to 16 A
- Low internal resistance ≤ 10 mΩ for precise measurements

Function / Assembly

- The probes can be mounted in and connected with the KS-100 30 G receptacle with solder cup. Other receptacles in the GKS-100 series can also be used

Mounting and functional dimensions



Available tip styles

Material	Tip style	Plating	Further versions	
			∅	∅ (inch)
3 05		S	∅ 1,50	
3 06		A	∅ 1,50	
3 17		A	∅ 1,50	
3 19		A	∅ 1,50	

Mechanical data

Working stroke: 4.3 mm
Maximum stroke: 6.4 mm
Spring force at working stroke: 3.0 N
Alternative: 2.0 N

Materials

Plunger: BeCu, gold-plated
Barrel: Bronze, silver-plated
Spring: Stainless steel, gold-plated
Receptacle: Nickel-silver, gold-plated

Mounting and Tools

Tool: SW-GKS

Electrical data

Current rating: 16 A
R_i typical: ≤ 10 mΩ

Mounting hole size

With collar or press-ring as a collar-stop
in CEM1 and FR4: ∅ 1.67 - 1.69 mm

Operating temperature

Standard: -80° up to +200° C

When pressing the press-ring into the mounting hole

in CEM1: ∅ 1.71 - 1.73 mm
in FR4: ∅ 1.70 - 1.72 mm

Ordering example

Series	Tip material 2 = Steel 3 = BeCu	Tip style	Tip diameter (1/100 mm)	Plating A = Gold	Spring force (dN)	Collar height (mm)
Test probe:	HSS	100	306	150	A	3000
Receptacle with press-ring (example):	KS-10030G					