

# SKS-559 M

## PRODUCT INFORMATION

### Switching Test Probes

Grid:  
 ≥ 9.5 mm  
 ≥ 374 Mil  
 Installation height with KS: 14.8 mm

INGUN Prüfmittelbau GmbH  
 Max-Stromeyer-Straße 162  
 78467 Constance | Germany  
 Tel. +49 7531 8105-0  
 www.ingun.com

## Detection test of plugs in test modules from the side

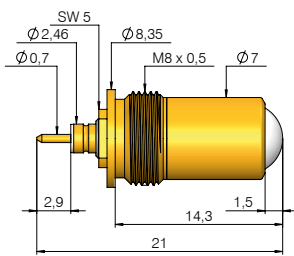
### Features

- Switching probe for detection test of plugs in test modules from the side
- SKS probe are activated by a ball are resistant to side forces
- Particularly suitable for limited working spaces and 374 Mil grids

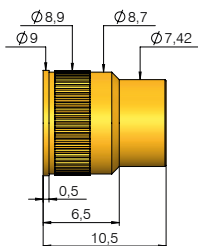
### Function / Assembly

- The SKS-559 M probes are mounted in the KS-559 M8 R receptacle

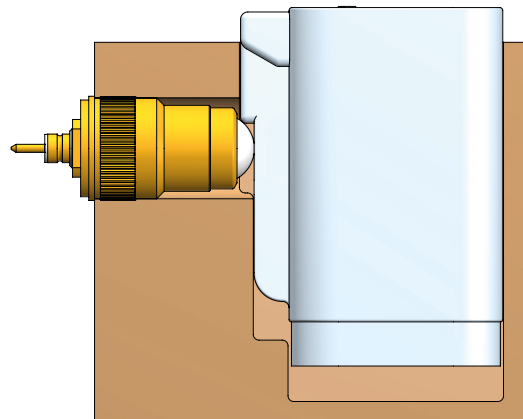
### Mounting and functional dimensions



SKS-559 M



KS-559 M8 R



### Available tip styles

Material	Tip style	Plating	Further versions	
			Ø	Ø (inch)
4 05		U	Ø 6,00	

### Mechanical data

Switch path: 0.7 mm  
 Working stroke: 1.3 mm  
 Maximum stroke: 1.5 mm  
 Spring force at switch. point: 0.8 N  
 Spring force at working stroke: 1.0 N

### Electrical data

Current rating: 10 A  
 Current rating (switches): 1 A  
 R<sub>j</sub> typical: ≤ 25 mΩ

### Operating temperature

Standard: -40° up to +80° C

### Materials

Plunger: Stainless steel, non-plated  
 Barrel: Brass, gold-plated  
 Spring: Spring steel, gold-plated  
 Receptacle: Brass, gold-plated

### Mounting hole size

KS with knurl in CEM1 and FR4  
 in KS-559 M8 R: Ø 8.80 - 8.82 mm

### Mounting and Tools

#### Recommended screw-in torque:

min. 10 cNm

max. 20 cNm

BIT-SKS-559 M

5.0 mm

#### Tool:

Width across flats:

Thread:

M8 x 0.5

### Ordering example

Series	Tip material 4 = Stainless steel	Tip style	Tip diameter (1/100 mm)	Plating U = non-plated	Spring force (dN)	Collar height (mm)	Special designation
SKS	5	59	405	600	U	10	01 M
Receptacles with knurl: KS - 559 M8 R							

Test probe:

Receptacles with knurl: