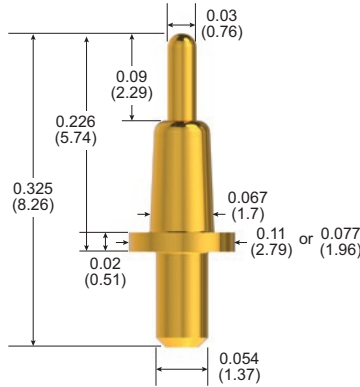


► 101050 PROBE



PROBE SPECIFICATIONS

<b>Minimum Centers</b>	0.125 (3.18)
<b>Current Rating</b>	10 A continuous <i>(individual probe in free air @ ambient temperature)</i>
<b>Spring Force</b>	65 g @ 0.06 (1.52) travel
<b>Typical Resistance</b>	< 10 mΩ
<b>Maximum Travel</b>	0.09 (2.29)
<b>Working Travel</b>	0.06 (1.52)

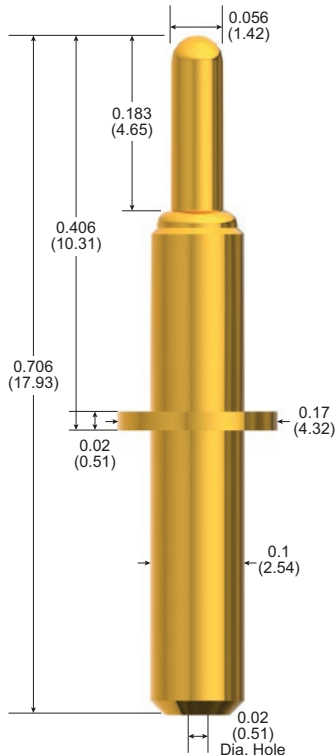
MATERIALS

<b>Barrel</b>	Nickel/silver, gold plated
<b>Spring</b>	Stainless steel, passivated
<b>Plunger</b>	Beryllium copper, gold plated
<b>Ball</b>	Stainless steel, gold plated

HOW TO ORDER

<b>Part Number</b>	101050-003 (0.11 dia. flange) 101050-005 (0.077 dia. flange)
--------------------	---

► 101247 PROBE



PROBE SPECIFICATIONS

<b>Minimum Centers</b>	0.20 (5.08)
<b>Current Rating</b>	20 A continuous <i>(individual probe in free air @ ambient temperature)</i>
<b>Spring Force</b>	332 g @ 0.147 (3.73) travel
<b>Typical Resistance</b>	< 10 mΩ
<b>Maximum Travel</b>	0.180 (4.57)
<b>Working Travel</b>	0.147 (3.73)

MATERIALS

<b>Barrel</b>	Brass, gold plated
<b>Spring</b>	Stainless steel, passivated
<b>Plunger</b>	Beryllium copper, gold plated

HOW TO ORDER

<b>Part Number</b>	101247-001
--------------------	------------