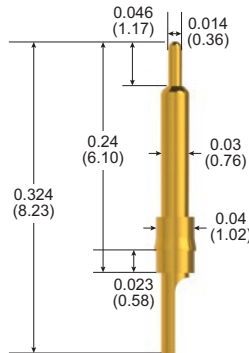


▶ 101679 PROBE



PROBE SPECIFICATIONS

Minimum Centers	0.055 (1.40)
Current Rating	3 A continuous <i>(individual probe in free air @ ambient temperature)</i>
Spring Force	37 g @ 0.023 (0.58) travel
Typical Resistance	< 25 mΩ
Maximum Travel	0.023 (0.58)
Working Travel	0.023 (0.58)

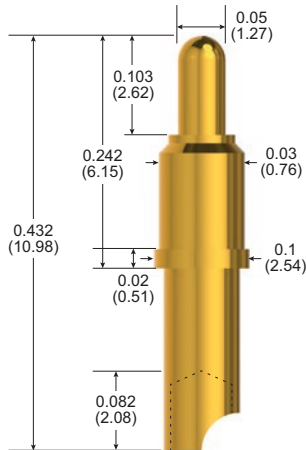
MATERIALS

Barrel	Brass, gold plated
Spring	Stainless steel
Plunger	Brass, gold plated

HOW TO ORDER

Part Number	101679-000
--------------------	------------

▶ 101628 PROBE



PROBE SPECIFICATIONS

Minimum Centers	0.125 (3.18)
Current Rating	25 A continuous <i>(individual probe in free air @ ambient temperature)</i>
Spring Force	150 g @ 0.04 (1.02) travel
Typical Resistance	< 5 mΩ
Maximum Travel	0.04 (1.02)
Working Travel	0.04 (1.02)

MATERIALS

Barrel	Brass, gold plated
Spring	Music wire, nickel plated
Plunger	Beryllium copper, gold plated
Ball	Stainless steel

HOW TO ORDER

Part Number	101628-000
--------------------	------------