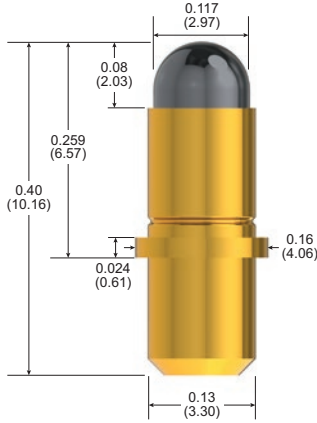


► 101402 PROBE



PROBE SPECIFICATIONS

Minimum Centers	0.175 (4.45)
Current Rating	20 A continuous <i>(individual probe in free air @ ambient temperature)</i>
Spring Force	275 g @ 0.05 (1.27) travel
Typical Resistance	< 10 mΩ
Maximum Travel	0.08 (2.03)
Working Travel	0.05 (1.27)

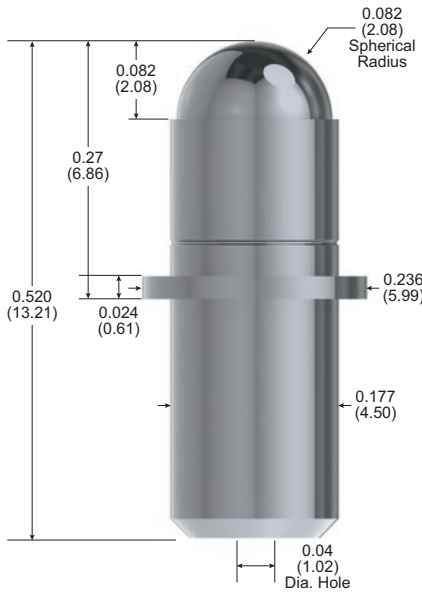
MATERIALS

Barrel	Nickel/silver, gold plated
Spring	Stainless steel, passivated
Plunger	Brass, Duralloy™

HOW TO ORDER

Part Number	101402-000
-------------	------------

► 100804 PROBE



PROBE SPECIFICATIONS

Minimum Centers	0.25 (6.35)
Current Rating	30 A continuous <i>(individual probe in free air @ ambient temperature)</i>
Spring Force	252 g @ 0.54 (1.37) travel
Typical Resistance	< 5 mΩ
Maximum Travel	0.082 (2.08)
Working Travel	0.054 (1.37)

MATERIALS

Barrel	Brass, Duralloy™ plated
Spring	Stainless steel, passivated
Plunger	Brass, Duralloy™ plated

HOW TO ORDER

Part Number	100804-002
-------------	------------