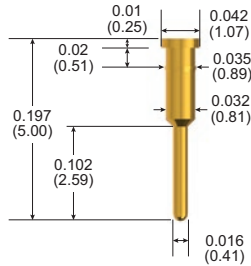


CONNECTOR TARGET CONTACTS

Dimensions & Specifications

▶ PI-5328



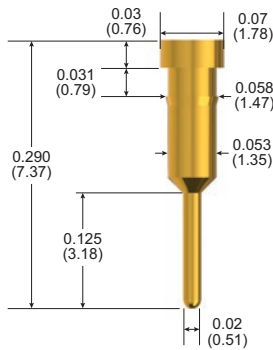
PIN SPECIFICATIONS

Mounting Hole	0.034 (0.86)
Pin Material	Brass
Plating Material	Gold over nickel

HOW TO ORDER

Part Number	305328-000
-------------	------------

▶ PI-5329



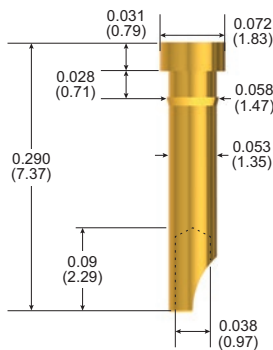
PIN SPECIFICATIONS

Mounting Hole	0.057 (1.45)
Pin Material	Brass
Plating Material	Gold over nickel

HOW TO ORDER

Part Number	305329-000
-------------	------------

▶ PI-5327



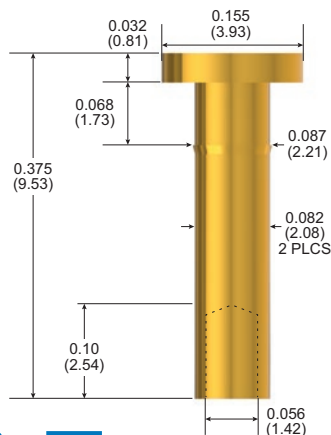
PIN SPECIFICATIONS

Mounting Hole	0.057 (1.45)
Pin Material	Brass
Plating Material	Gold over nickel

HOW TO ORDER

Part Number	305327-000
-------------	------------

▶ PI-5330



PIN SPECIFICATIONS

Mounting Hole	0.084 (2.15)
Pin Material	Brass
Plating Material	Gold over nickel

HOW TO ORDER

Part Number	305330-000
-------------	------------