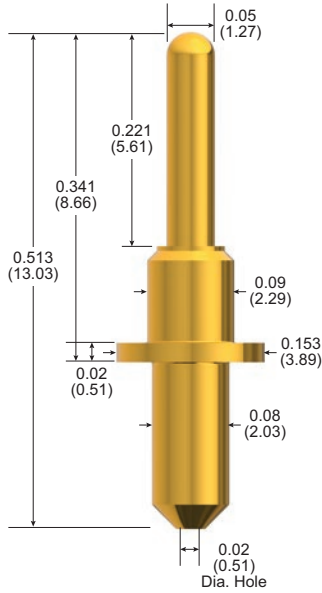


► 100606 PROBE



PROBE SPECIFICATIONS

Minimum Centers	0.175 (4.45)
Current Rating	15 A continuous <i>(individual probe in free air @ ambient temperature)</i>
Spring Force	176 g @ 0.06 (1.52) travel
Typical Resistance	< 10 mΩ
Maximum Travel	0.09 (2.29)
Working Travel	0.06 (1.52)

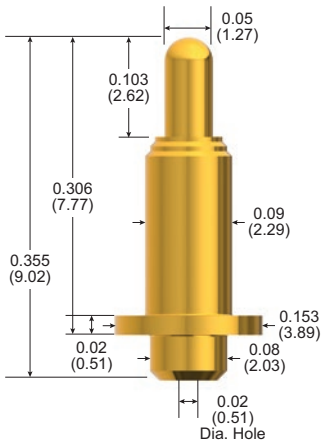
MATERIALS

Barrel	Nickel/silver, gold plated
Spring	Stainless steel, passivated
Plunger	Beryllium copper, gold plated
Bias Ball	Stainless steel

HOW TO ORDER

Part Number	100606-000
--------------------	------------

► 100891 PROBE



PROBE SPECIFICATIONS

Minimum Centers	0.175 (4.45)
Current Rating	15 A continuous <i>(individual probe in free air @ ambient temperature)</i>
Spring Force	256 g @ 0.067 (1.70) travel
Typical Resistance	< 5 mΩ
Maximum Travel	0.10 (2.54)
Working Travel	0.067 (1.70)

MATERIALS

Barrel	Nickel/silver, gold plated
Spring	Stainless steel, gold plated
Plunger	Beryllium copper, gold plated

HOW TO ORDER

Part Number	100891-002
--------------------	------------