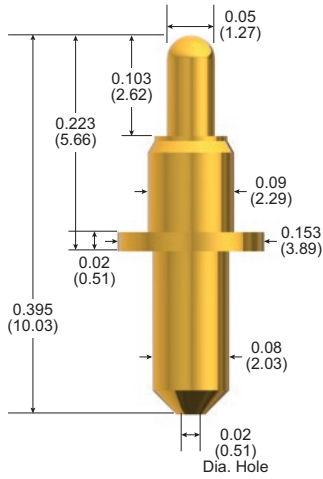


▶ 100410 PROBE



PROBE SPECIFICATIONS

Minimum Centers	0.175 (4.45)
Current Rating	15 A continuous <i>(individual probe in free air @ ambient temperature)</i>
Spring Force	176 g @ 0.06 (1.52) travel
Typical Resistance	< 5 mΩ
Maximum Travel	0.09 (2.29)
Working Travel	0.06 (1.52)

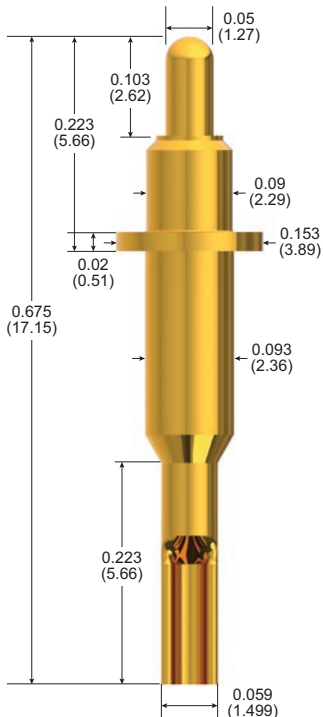
MATERIALS

Barrel	Nickel/silver, gold plated
Spring	Stainless steel
Plunger	Beryllium copper, gold plated
Bias Ball	Stainless steel

HOW TO ORDER

Part Number	100410-005
--------------------	------------

▶ 101119 PROBE



PROBE SPECIFICATIONS

Minimum Centers	0.175 (4.45)
Current Rating	15 A continuous <i>(individual probe in free air @ ambient temperature)</i>
Spring Force	176 g @ 0.06 (1.52) travel
Typical Resistance	< 10 mΩ
Maximum Travel	0.09 (2.29)
Working Travel	0.06 (1.52)

MATERIALS

Barrel	Nickel/silver, gold plated
Spring	Stainless steel
Plunger	Beryllium copper, gold plated
Bias Ball	Stainless steel
Receptacle	Nickel/silver, gold plated

HOW TO ORDER

Part Number	101119-001
--------------------	------------