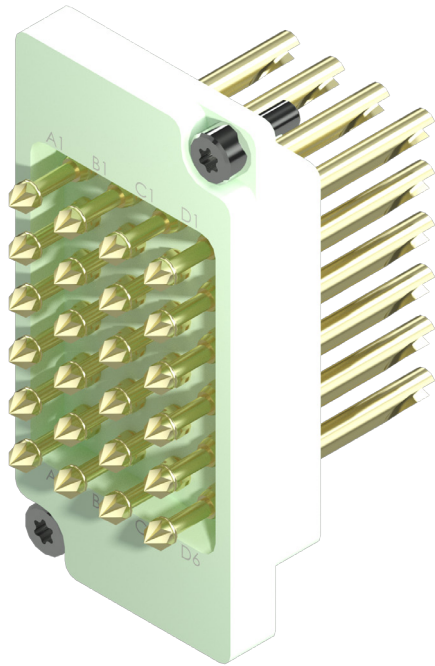


# CB-HC-P-024SC

Interface Block



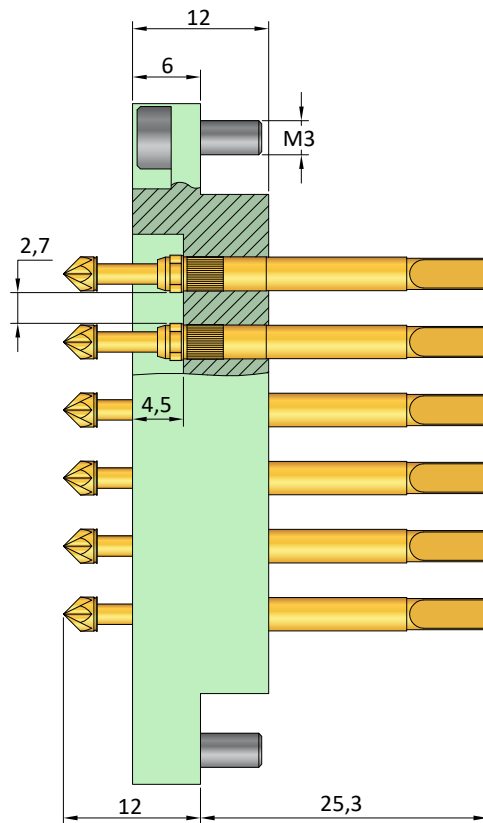
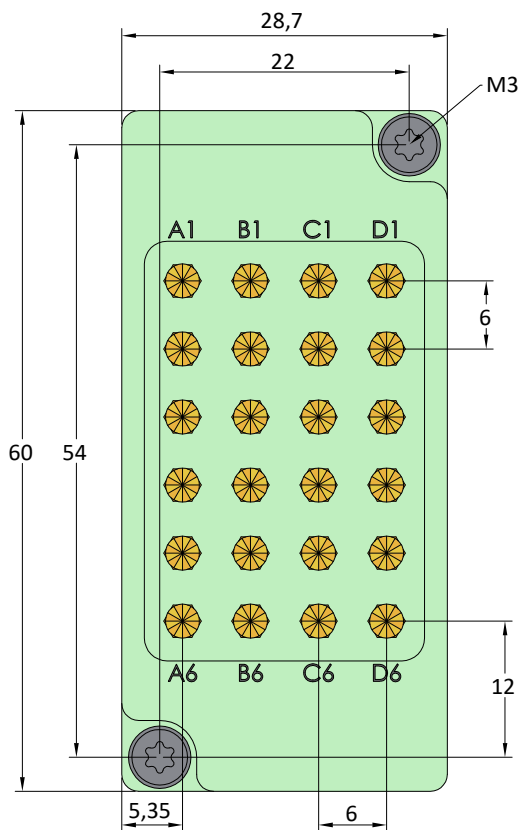
## Technical Data

|                              |                  |
|------------------------------|------------------|
| Working distance:            | 15,1 ±0,5 mm     |
| Connection:                  | Solder cup       |
| Number of poles:             | 24               |
| Probes working stroke :      | 4 mm             |
| Air distance:                | 2,4 mm           |
| Spring force:                | 52,8 N           |
| Current rating:              | 30 A             |
| Typical contact resistance:  | <10 mΩ           |
| Operating temperature range: | -30° up to +120° |

Components specification: HC120M LM 300 B 220 G  
CR113M-2R

## Compatible with

Compatible mating part 1: CB-HC-FT-024SC



Ordering example:

| Pointe côté châssis         |                 |                       |          |    |
|-----------------------------|-----------------|-----------------------|----------|----|
| Series                      | Type de contact |                       | A souder |    |
| CB-                         | HC-             | P-                    | 024      | SC |
| Block type<br>Hight current |                 | Nombre<br>de contacts |          |    |