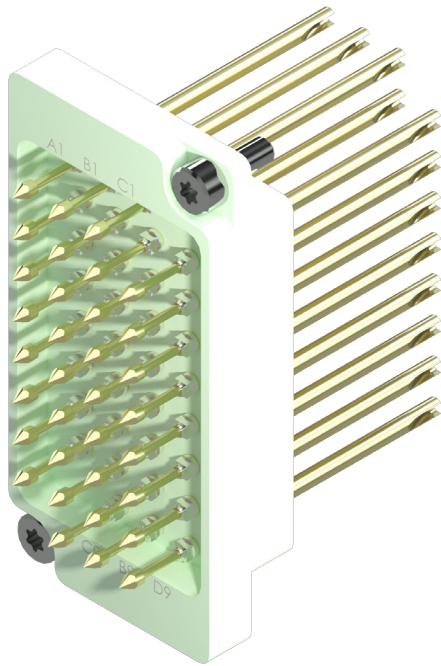


CB-HC-P-034SC

Interface Block



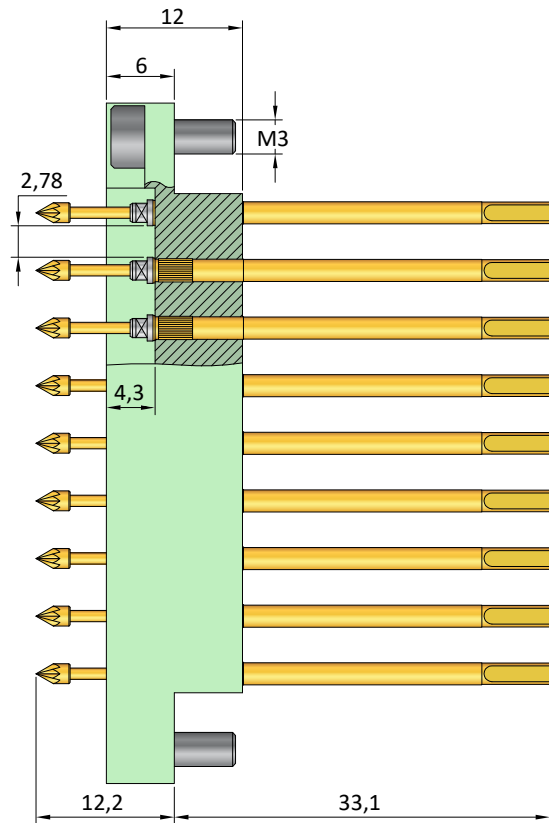
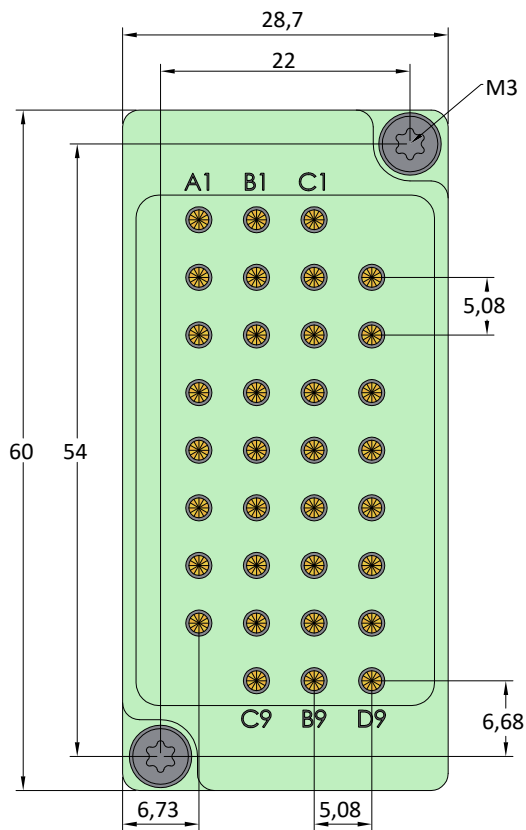
Technical Data

Working distance:	15,1 ±0,5 mm
Connection:	Solder cup
Number of poles:	34
Probes working stroke :	4 mm
Air distance:	3 mm
Spring force:	51 N
Current rating:	20 A
Typical contact resistance:	<10 mΩ
Operating temperature range:	-30° up to +120°

Components specification: HCP 912M-2 B13 175 150 G
HCR 912MSZ

Compatible with

Compatible mating part 1: CB-HC-FT-034SC



Ordering example:

Series	Type de contact	A souder
CB-	HC- P-	034 SC
Block type Hight current		Nombre de contacts