






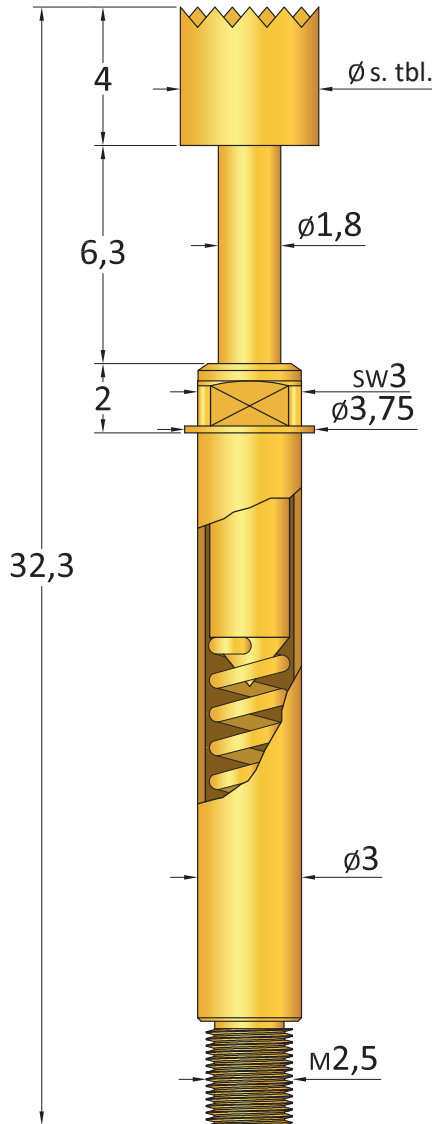


CP 103M

Screw-in Probes $\geq 4,00$ mm / ≥ 160 mil

Available Tip Styles

Material	Tip Style	ϕ mm
B	A 	2,30 4,00
B S	B 	1,80
B	F 	2,30 4,00 6,50
B	D 	2,30 4,00
B	H 	2,30 4,00
B	HB 	4,00 6,50 9,00
B	V 	2,30 4,00



Technical Data

Recommended minimum centers:	4,00 mm
Recommended working stroke:	4,80 mm
Maximum stroke:	6,00 mm
Current rating:	5,0 - 8,0 A
Typical contact resistance:	<30 m Ω
Operating temperature range:	-50° up to +100°

Materials

Plunger:	BeCu or Steel, nickel or gold plated
Barrel:	Brass, gold plated
Spring:	Music wire, gold plated
Receptacle:	Brass, gold plated

Spring Force (g $\pm 20\%$)

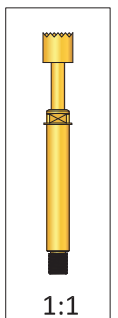
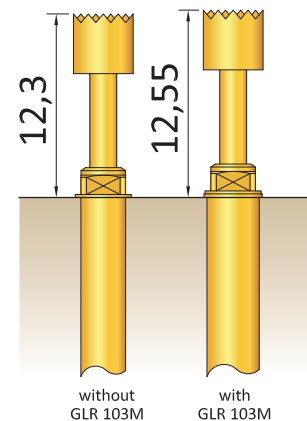
Spring force:	150 g
Alternative:	80 g 300 g 500 g

Hole size without receptacle

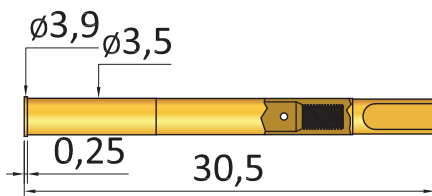
Drills: $\phi 2,99 - \phi 3,00$

Hole size with receptacle

Drills: $\phi 3,49 - \phi 3,50$



CR 103M-2R
crimp



Ordering example:

Series	Tip ϕ mm	Spring Force			
CP 103M	HB	400	B	150	G
	Tip Style		Material		Plating
			B=BeCu S=Steel		G=Gold N=Nickel