



Basic Contact Probes

F07507S120L200

Order code 1018424

General

| | |
|------------------|---------------------|
| Design | Basic Contact Probe |
| Family | F075 |
| Pitch [mm/mil] | 1.90 / 75 |
| Temperature [C°] | -45°C...+80°C |

Electrical specifications

| | |
|-----------------------------------|-------|
| Continuous current [A] | 4.00 |
| Typical contact resistance [mOhm] | 20.00 |

Mechanical specifications

| | |
|----------------------------|--------|
| Preload [cN] | 80.00 |
| Spring force [cN] | 200.00 |
| Nominal travel [mm] | 4.30 |
| Maximum travel [mm] | 6.40 |
| Pointing accuracy +/- [mm] | 0.08 |

Dimensions

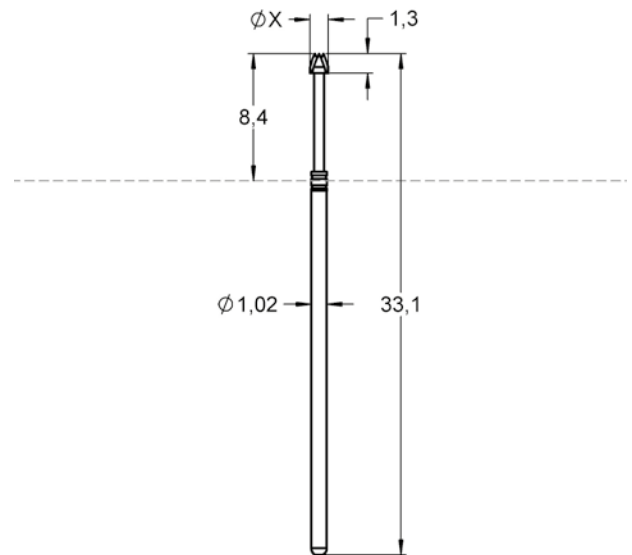
| | |
|-------------------------|-------|
| Total length [mm] | 33.10 |
| Projection height [mm] | 8.20 |
| Tip style diameter [mm] | 1.20 |
| Barrel diameter [mm] | 1.02 |

Materials & surfaces

| | |
|------------------|---------------|
| Tip style | 07 |
| Plunger material | Steel |
| Plunger plating | Longtime Gold |
| Barrel material | Bronze |
| Barrel plating | Gold |
| Spring material | Spring steel |
| Spring plating | Silver |

Family drawing

All measurements are in mm.



Accessories

| | |
|---------------------|---|
| Tool for receptacle | FEWZ-075EV |
| Tool for probe | 1003587-FDWZ-075 |
| Other | 1143245-H075WW19-7.6AT, 1012173-H075WL11-7.6, 1133640-H075WW19-10.0ATinaktiv, 1057693-H075CR-10.0S1, 1092190-H075WW10-2.0AT |

Tip style 1

