



Basic Contact Probes

F07511B064G100

Order code 1017251

General

Design	Basic Contact Probe
Family	F075
Pitch [mm/mil]	1.90 / 75
Temperature [C°]	-45°C...+80°C

Electrical specifications

Continuous current [A]	4.00
Typical contact resistance [mOhm]	20.00

Mechanical specifications

Preload [cN]	50.00
Spring force [cN]	100.00
Nominal travel [mm]	4.30
Maximum travel [mm]	6.40
Pointing accuracy +/- [mm]	0.08

Dimensions

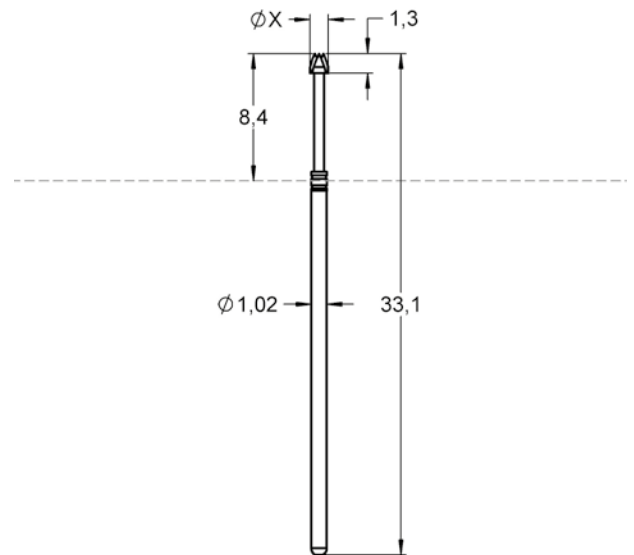
Total length [mm]	33.10
Projection height [mm]	8.20
Tip style diameter [mm]	0.64
Barrel diameter [mm]	1.02

Materials & surfaces

Tip style	11
Plunger material	Beryllium copper
Plunger plating	Gold
Barrel material	Bronze
Barrel plating	Gold
Spring material	Spring steel
Spring plating	Silver

Family drawing

All measurements are in mm.



Accessories

Tool for receptacle	FEWZ-075EV
Tool for probe	1003587-FDWZ-075
Other	1143245-H075WW19-7.6AT, 1012173-H075WL11-7.6, 1133640-H075WW19-10.0ATinaktiv, 1057693-H075CR-10.0S1, 1092190-H075WW10-2.0AT

Tip style 1

