



Basic Contact Probes

## F07514S120L200

Order code 1017552

### General

Design	Basic Contact Probe
Family	F075
Pitch [mm/mil]	1.90 / 75
Temperature [C°]	-45°C...+80°C

### Electrical specifications

Continuous current [A]	4.00
Typical contact resistance [mOhm]	20.00

### Mechanical specifications

Preload [cN]	80.00
Spring force [cN]	200.00
Nominal travel [mm]	4.30
Maximum travel [mm]	6.40
Pointing accuracy +/- [mm]	0.08

### Dimensions

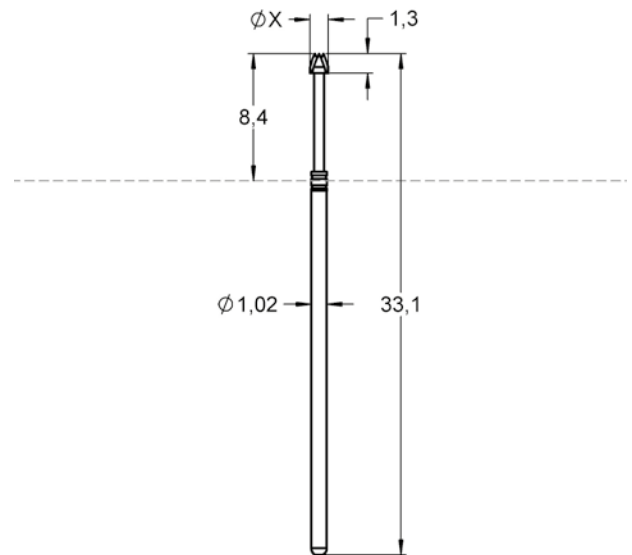
Total length [mm]	33.10
Projection height [mm]	8.20
Tip style diameter [mm]	1.20
Barrel diameter [mm]	1.02

### Materials & surfaces

Tip style	14
Plunger material	Steel
Plunger plating	Longtime Gold
Barrel material	Bronze
Barrel plating	Gold
Spring material	Spring steel
Spring plating	Silver

### Family drawing

All measurements are in mm.



### Accessories

Tool for receptacle	FEWZ-075EV
Tool for probe	1003587-FDWZ-075
Other	1143245-H075WW19-7.6AT, 1012173-H075WL11-7.6, 1133640-H075WW19-10.0ATinaktiv, 1057693-H075CR-10.0S1, 1092190-H075WW10-2.0AT

Tip style 1

