



Basic Contact Probes

F10043S090P130HP

Order code 1010389

General

Design	Basic Contact Probe
Family	F100HP
Pitch [mm/mil]	2.54 / 100
Temperature [C°]	-45°C...+100°C
Additional definition	HP

Electrical specifications

Continuous current [A]	5.00
Typical contact resistance [mOhm]	40.00

Mechanical specifications

Preload [cN]	75.00
Spring force [cN]	130.00
Nominal travel [mm]	4.30
Maximum travel [mm]	6.40
Pointing accuracy +/- [mm]	0.08

Dimensions

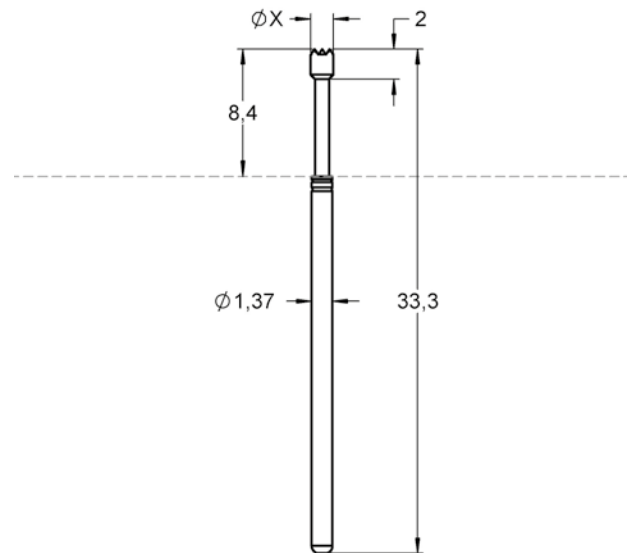
Total length [mm]	33.30
Projection height [mm]	8.40
Tip style diameter [mm]	0.90
Barrel diameter [mm]	1.37

Materials & surfaces

Tip style	43
Plunger material	Steel
Plunger plating	Progressive
Barrel material	Bronze
Barrel plating	Gold
Spring material	Spring steel
Spring plating	Silver

Family drawing

All measurements are in mm.



Accessories

Tool for receptacle	FEWZ-100EV
Tool for probe	1003566-FDWZ-100
Other	1097191-H100CR-7.6S1, 1133588-H100WW19-10.0AT, 1107897-H100WW10-2.5S1, 1100025-H100WW05-7.6S1, 1092174-H100WW10-10.0AT