



Basic Contact Probes

## F58806B150G180

Order code 1001508

### General

Design	Basic Contact Probe
Family	F588
Pitch [mm/mil]	2.54 / 100
Temperature [C°]	-45°C...+80°C

### Electrical specifications

Continuous current [A]	5.00
Typical contact resistance [mOhm]	30.00

### Mechanical specifications

Preload [cN]	50.00
Spring force [cN]	180.00
Nominal travel [mm]	9.30
Maximum travel [mm]	11.70
Pointing accuracy +/- [mm]	0.10

### Dimensions

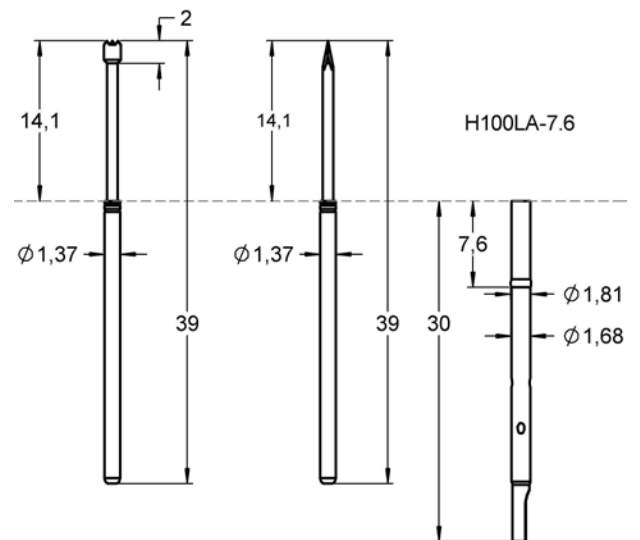
Total length [mm]	39.00
Projection height [mm]	14.10
Tip style diameter [mm]	1.50
Barrel diameter [mm]	1.37

### Materials & surfaces

Tip style	06
Plunger material	Beryllium copper
Plunger plating	Gold
Barrel material	Bronze
Barrel plating	Gold
Spring material	Spring steel
Spring plating	Silver

### Family drawing

All measurements are in mm.



### Accessories

Tool for receptacle	FEWZ-100
Other	1097191-H100CR-7.6S1, 1133588-H100WW19-10.0AT, 1107897-H100WW10-2.5S1, 1100025-H100WW05-7.6S1, 1092174-H100WW10-10.0AT

### Tip style 1

