



Basic Contact Probes

## F58833S090L300

Order code 1007199

### General

|                  |                     |
|------------------|---------------------|
| Design           | Basic Contact Probe |
| Family           | F588                |
| Pitch [mm/mil]   | 2.54 / 100          |
| Temperature [C°] | -45°C...+80°C       |

### Electrical specifications

|                                   |       |
|-----------------------------------|-------|
| Continuous current [A]            | 5.00  |
| Typical contact resistance [mOhm] | 30.00 |

### Mechanical specifications

|                            |        |
|----------------------------|--------|
| Preload [cN]               | 80.00  |
| Spring force [cN]          | 300.00 |
| Nominal travel [mm]        | 9.30   |
| Maximum travel [mm]        | 11.70  |
| Pointing accuracy +/- [mm] | 0.10   |

### Dimensions

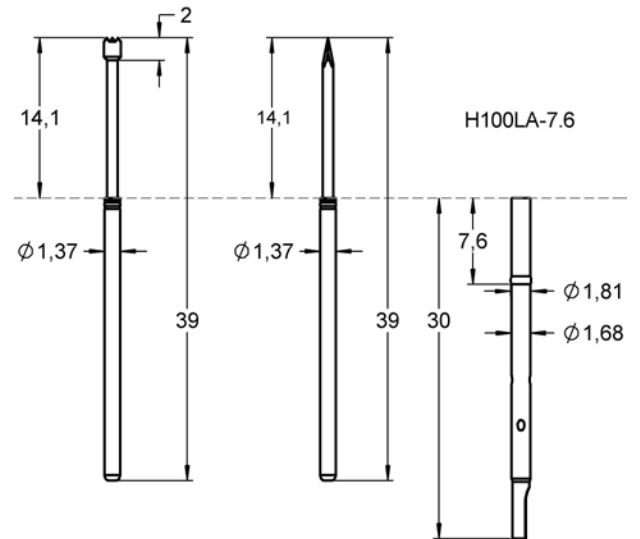
|                         |       |
|-------------------------|-------|
| Total length [mm]       | 39.00 |
| Projection height [mm]  | 14.10 |
| Tip style diameter [mm] | 0.90  |
| Barrel diameter [mm]    | 1.37  |

### Materials & surfaces

|                  |               |
|------------------|---------------|
| Tip style        | 33            |
| Plunger material | Steel         |
| Plunger plating  | Longtime Gold |
| Barrel material  | Bronze        |
| Barrel plating   | Gold          |
| Spring material  | Spring steel  |
| Spring plating   | Silver        |

### Family drawing

All measurements are in mm.



### Accessories

|                     |  |
|---------------------|--|
| Tool for receptacle | FEWZ-100   |
| Other               | 1097191-H100CR-7.6S1,<br>1133588-H100WW19-10.0AT,<br>1107897-H100WW10-2.5S1,<br>1100025-H100WW05-7.6S1,<br>1092174-H100WW10-10.0AT |

### Tip style 1

