



Basic Threaded Probes

F73416B180G150

Order code 1016810

General

Design	Basic Contact Probe
Family	F734
Pitch [mm/mil]	4.00 / 157
Temperature [C°]	-45°C...+100°C

Electrical specifications

Continuous current [A]	10.00
Typical contact resistance [mOhm]	25.00

Mechanical specifications

Preload [cN]	60.00
Spring force [cN]	150.00
Nominal travel [mm]	5.60
Maximum travel [mm]	7.00
Pointing accuracy +/- [mm]	0.10
Thread	M2
Tool size [mm]	3.0

Dimensions

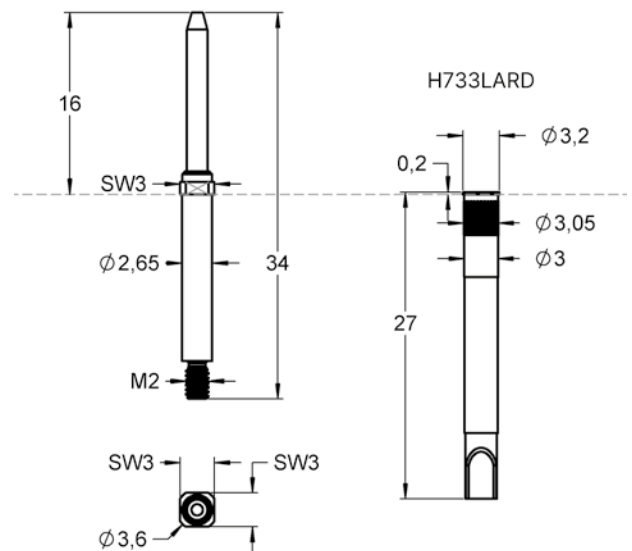
Total length [mm]	34.00
Projection height [mm]	16.00
Tip style diameter [mm]	1.80
Barrel diameter [mm]	2.65
Collar diameter [mm]	3.60
Press ring diameter [mm]	3.60

Materials & surfaces

Tip style	16
Plunger material	Beryllium copper
Plunger plating	Gold
Barrel material	Brass
Barrel plating	Gold
Spring material	Spring steel
Spring plating	Silver

Family drawing

All measurements are in mm.



Accessories

Tool for receptacle	FEWZ-774E0
Tool for probe	1001682-FWZ733, 1004611-FWZ733T
Other	1015833-H733LAST, 1082284-H733LARD-10, 1083352-H733LARD-10S1, 1022713-H733LARDS1, 1005514-H733LARD

Tip style 1

