

F793L

Up to 4 A | 75 mil | FCT application



Electrical specifications

Current [A]	4
R _{TYP} [mOhm]	<20

Mechanical specifications

Temperature [°C]	-45°...+100°
Preload [cN]	20
Spring force [cN] at nt ±20%	120
Nominal travel [mm]	8.0
Maximum travel [mm]	10.0

Materials and plating

Plunger	BeCu	gold plated
	Palladium alloy	unplated
Barrel	Nickel silver	gold plated
Spring	Spring steel	silver plated
Receptacle	Nickel silver	gold plated

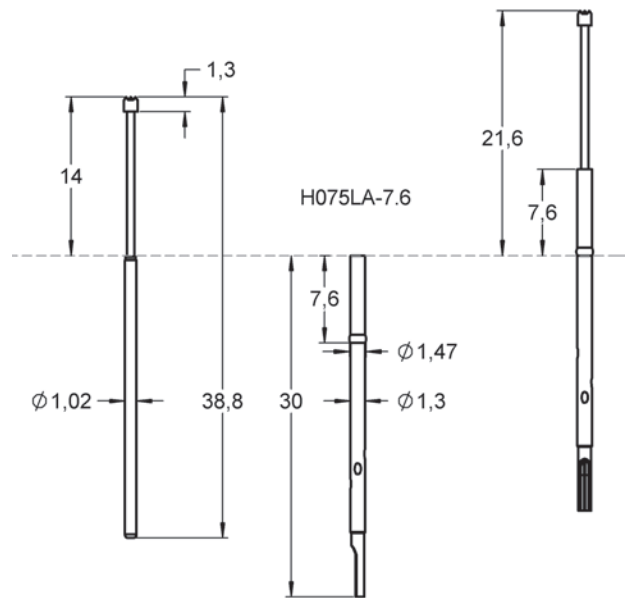
Accessories

1010808	H075LA-7.6	Receptacle
1008325	FEWZ-075EV	Insertion tool receptacle
1003587	FDWZ-075	Insertion tool probe

* Overview of other receptacles H075 on page 52+53

Series drawing

All measurements are in mm.



Drill size recommendation (mm)

H075...	Press ring as stop	1.29 - 1.30
H075...	Press ring inserted	1.36 - 1.40

Order code	Product name	Tip Style	Tip Ø [mm]	Material/Plating	Force [cN]	Thread [M]	Version	FM Choice
1007132	F79306B120G120L	06	1.20	B / G	120	-	L	-
1035690	F79310S055P120RPL	10	0.55	S / L	120	-	RPL	-
1017853	F79312B120G120L	12	1.20	B / G	120	-	L	-
1008743	F79314B120G120L	14	1.20	B / G	120	-	L	-
1007133	F79315B120G120L	15	1.20	B / G	120	-	L	-
1007134	F79333S064L120L	33	0.64	S / L	120	-	L	