



Basic Contact Probes

## H100WW10-10.0

Item number 1010823

### General

Type/family	H100
Pitch (mm/mil)	2,54 / 100

### Electrical specifications

Continuous current (A)	5.00
------------------------	------

### Mechanical specifications

Connection type (flux-proof)	Wire Wrap
------------------------------	-----------

### Dimensions

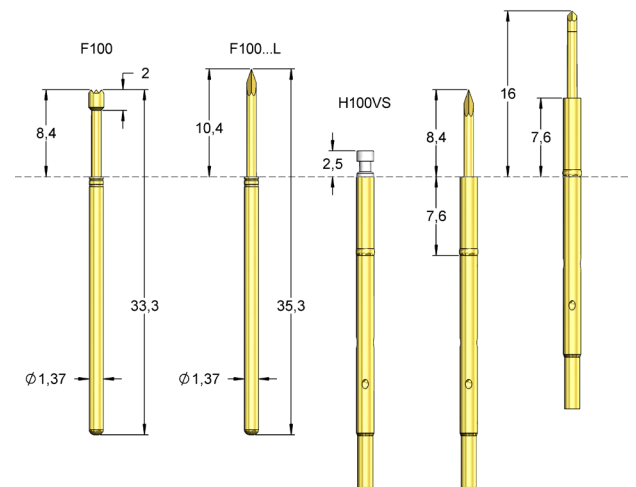
Total length (mm)	40.00
Press ring diameter (mm)	1.81
Outer diameter (mm)	1.68
Collar height (mm)	1.81

### Accessories

Tool for receptacle	FEWZ-100
---------------------	----------

### Family drawing

All measurements are in mm.



M 1:1

