

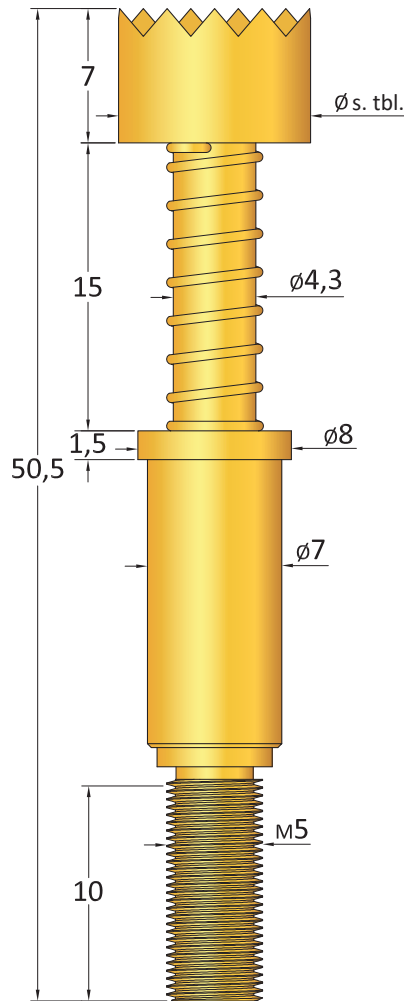


## Available Tip Styles

Material	Tip Style	$\phi$ mm
B	F 	10,00
B	HB 	10,00



## Technical Data

Recommended minimum centers:	10,00 mm
Recommended working stroke:	8,00 mm
Maximum stroke:	9,00 mm
Current rating:	100,0 A
Typical contact resistance:	<10 m $\Omega$
Operating temperature range:	-50° up to +100°

## Materials

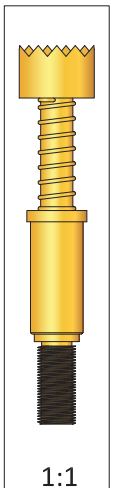
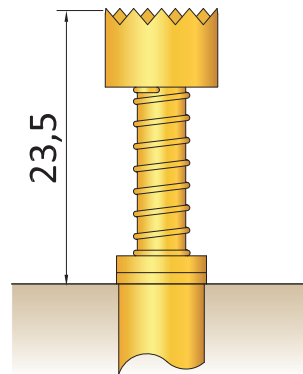
Plunger:	BeCu, gold plated
Barrel:	Brass, gold plated
Spring:	Music wire, gold plated
Receptacle:	Brass, gold plated

## Spring Force ( g $\pm 20\%$ )

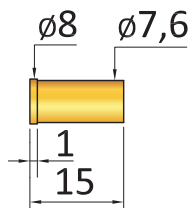
Spring force: 1000 g

## Hole size for receptacle

Drills:  $\phi 7,58 - \phi 7,59$



CR 451



Series	Tip $\phi$ mm	Spring Force	Material	Plating
HC 451	1000	1000	B	G
	Tip Style		B=BeCu	G=Gold