

HIGH CURRENT PROBES



HCF713

25 A | 157 mil | Pluggable

Electrical specifications

Temperature [°C]	-45°...+200°
Current [A]	25
R _{TYP} [mOhm]	<8

Mechanical specifications

Preload [cN]	70
Spring force [cN] at nt ±20%	150
Nominal travel [mm]	2.8
Maximum travel [mm]	3.5

Materials and plating

Plunger	BeCu	gold plated
Barrel	Brass	gold plated
Spring	Stainless steel	unplated
Receptacle	Brass	gold plated

Accessories

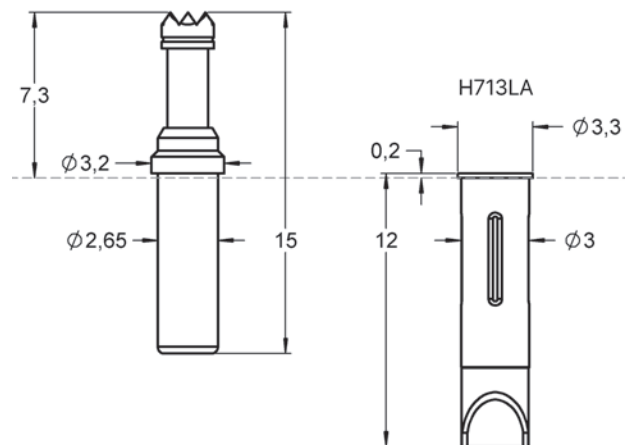
1018232	H713LA	Receptacle
1030014	FEWZ-713E0	Insertion tool receptacle
1003566	FDWZ-100	Insertion tool probe

Drill size recommendation (mm)

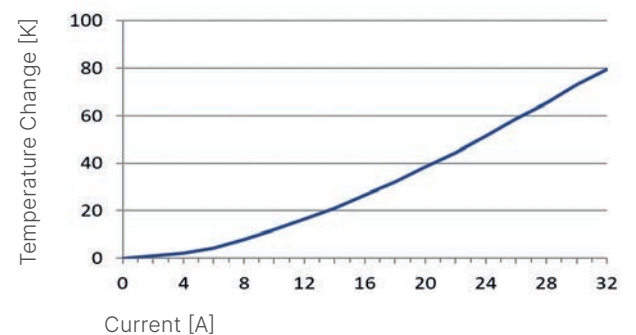
1018232	H713LA	2.98 - 2.99
---------	--------	-------------

Series drawing

All measurements are in mm.



Thermal Rise of Contact Probe vs. Current



Order code	Product name	Tip Style	Tip Ø [mm]	Material/Plating	Force [cN]	Thread [M]	Version	FM Choice
1024197	HCF71306B230G150	06	2.30	B / G	150	-	-	-
1135313	HCF71306B350G150	06	3.50	B / G	150	-	-	-
1024198	HCF71312B230G150	12	2.30	B / G	150	-	-	-
1024199	HCF71314B230G150	14	2.30	B / G	150	-	-	-