

HIGH CURRENT PROBES



HCF723

25 A | 157 mil | Threaded

Electrical specifications

Temperature [°C]	-45°...+200°	
Current [A]	25	
R _{TYP} [mOhm]	<8	

Mechanical specifications

Preload [cN]	40	70
Spring force [cN] at nt ±20%	80	150
Nominal travel [mm]	2.8	2.8
Maximum travel [mm]	3.5	3.5

Materials and plating

Plunger	BeCu	gold plated
Barrel	Brass	gold plated
Spring	Stainless steel	unplated
Receptacle	Brass	gold plated

Accessories

1009981	H723LA	Receptacle
1030014	FEWZ-713E0	Insertion tool receptacle
1003954	FWZ733S1	Insertion tool probe
1029813	FWZ733S1T	Insertion tool probe

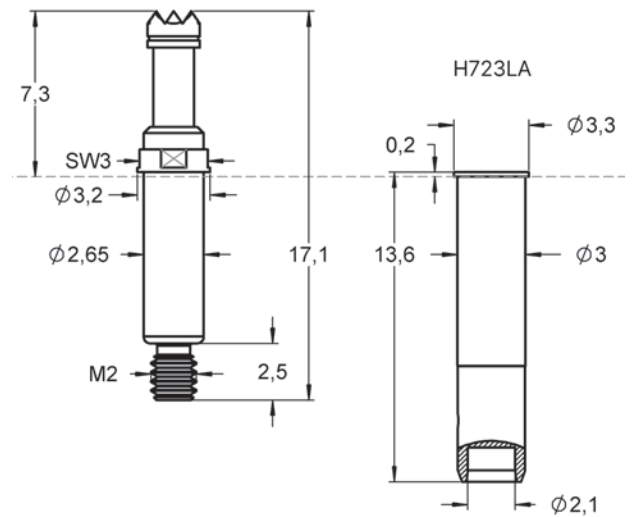
Drill size recommendation (mm)

1009981	H723LA	2.98 - 2.99
---------	--------	-------------

Order code	Product name	Tip Style	Tip Ø [mm]	Material/Plating	Force [cN]	Thread [M]	Version	FM Choice
1009987	HCF72306B230G080	06	2.30	B / G	80	2.0	-	-
1019851	HCF72306B230G150	06	2.30	B / G	150	2.0	-	-
1132082	HCF72306B350G150	06	3.50	B / G	150	2.0	-	-
1010607	HCF72312B230G150	12	2.30	B / G	150	2.0	-	-
1091459	HCF72314B230G150	14	2.30	B / G	150	2.0	-	-

Series drawing

All measurements are in mm.



Thermal Rise of Contact Probe vs. Current

