



High Current Probes

HCF72306B230G150

Order code 1019851

General

Design	Basic Contact Probe
Family	HCF723
Pitch [mm/mil]	4.00 / 157
Temperature [C°]	-45°C...+200°C

Electrical specifications

Continuous current [A]	30.00
Typical contact resistance [mOhm]	8.00

Mechanical specifications

Preload [cN]	70.00
Spring force [cN]	150.00
Nominal travel [mm]	2.80
Maximum travel [mm]	3.50
Pointing accuracy +/- [mm]	0.10
Thread	M2
Tool size [mm]	3.0

Dimensions

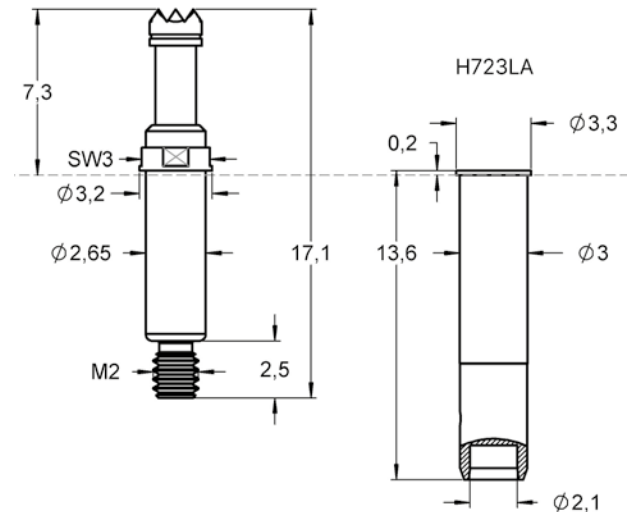
Total length [mm]	17.10
Projection height [mm]	7.10
Tip style diameter [mm]	2.30
Barrel diameter [mm]	2.65
Collar diameter [mm]	3.20
Press ring diameter [mm]	3.20

Materials & surfaces

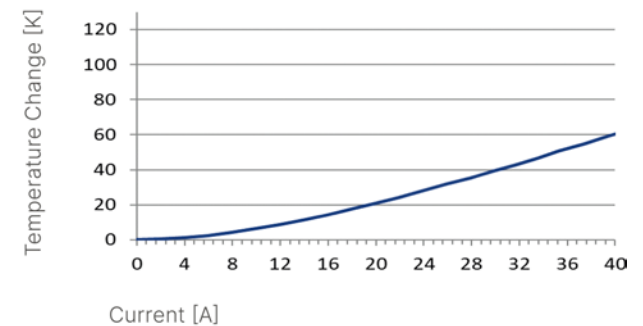
Tip style	06
Plunger material	Beryllium copper
Plunger plating	Gold
Barrel material	Brass
Barrel plating	Gold
Spring material	High-grade steel
Spring plating	Uncoated

Family drawing

All measurements are in mm.



Thermal Rise of Contact Probe vs. Current



Accessories

Tool for probe	1003954-FWZ733S1, 1029813-FWZ733S1T
Other	1009981-H723LA

Tip style 1

