



High Current Probes

## HCF73306B230G300

Order code 1008578

### General

Design	Basic Contact Probe
Family	HCF733
Pitch [mm/mil]	4.00 / 157
Temperature [C°]	-45°C...+200°C

### Electrical specifications

Continuous current [A]	30.00
Typical contact resistance [mOhm]	8.00

### Mechanical specifications

Preload [cN]	60.00
Spring force [cN]	300.00
Nominal travel [mm]	4.00
Maximum travel [mm]	5.00
Pointing accuracy +/- [mm]	0.10
Thread	M2
Tool size [mm]	3.0

### Dimensions

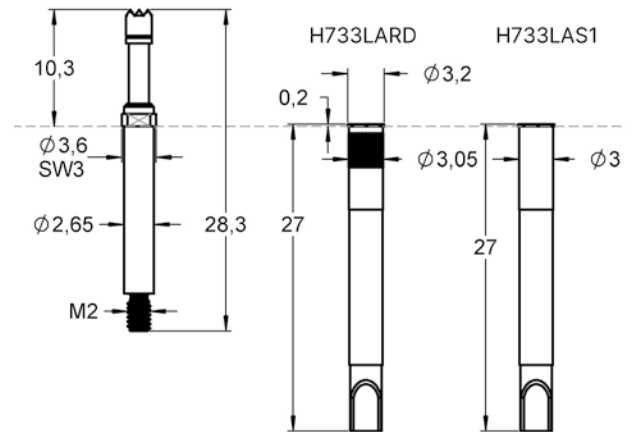
Total length [mm]	28.30
Projection height [mm]	10.30
Tip style diameter [mm]	2.30
Barrel diameter [mm]	2.65
Collar diameter [mm]	3.60
Press ring diameter [mm]	3.60

### Materials & surfaces

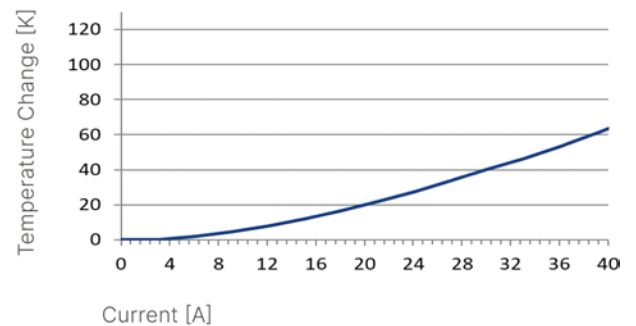
Tip style	06
Plunger material	Beryllium copper
Plunger plating	Gold
Barrel material	Brass
Barrel plating	Gold
Spring material	High-grade steel
Spring plating	Uncoated

### Family drawing

All measurements are in mm.



### Thermal Rise of Contact Probe vs. Current



### Accessories

Tool for receptacle	FEWZ-774E0
Tool for probe	1003954-FWZ733S1, 1029813-FWZ733S1T
Other	1003077-H733LAS1, 1015833-H733LAST, 1082284-H733LARD-10, 1083352-H733LARD-10S1, 1022713-H733LARDS1

### Tip style 1

