



High Current Probes

HCF77512A300U300HP

Item number 1030816

General

Design	Basic Contact Probe
Type/family	HCF775
Pitch (mm/mil)	5,00 / 197
Temperature [C°]	-45°C...+200°C
Additional definition	HP

Electrical specifications

Continuous current (A)	50.00
Typical contact resistance (mOhm)	5.00

Mechanical specifications

Preload (cN)	240.00
Spring force (cN)	300.00
Nominal travel (mm)	4.40
Maximum travel (mm)	5.50
Pointing accuracy +/- (mm)	0.10

Dimensions

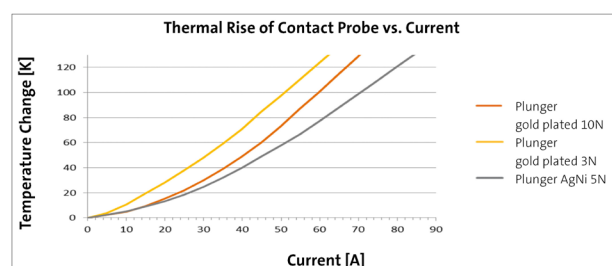
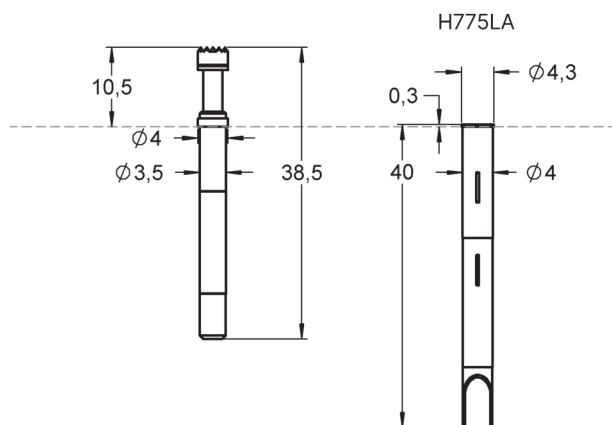
Total length (mm)	38.50
Projection height (mm)	10.50
Tip style diameter (mm)	3.00
Barrel diameter (mm)	3.50
Collar diameter (mm)	4.00
Press ring diameter (mm)	4.00

Materials & surfaces

Tip style	12A
Tip style material	Silver
Tip style plating	Uncoated
Plunger material	Silver
Plunger plating	Uncoated
Barrel material	Brass
Barrel plating	Gold
Spring material	High-grade steel
Spring plating	Uncoated

Family drawing

All measurements are in mm.



Accessories

Tool for receptacle

FEWZ-735E0