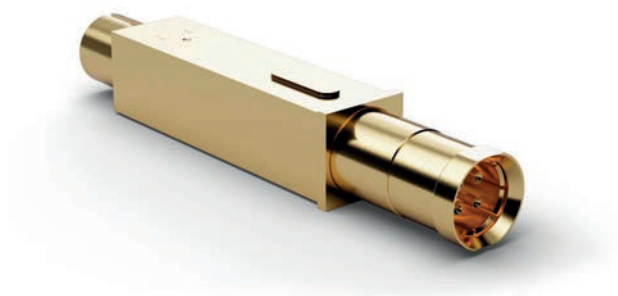


# HF819

1 GHz | HSD Male



### Electrical specifications

Temperature [°C]	-45°...+100°
Current INTERNAL [A]	3
Current CIRCULAR [A]	10
Impedance [Ohm]	100
Frequency [GHz]	1

### Mechanical specifications

	4x SIGNAL	1x GROUND
Preload (cN)	75	300
Spring force at nt (cN ±20%)	130	750
Nominal travel (mm)	2.0	5.0
Maximum travel (mm)	3.7	6.0

### Materials and plating

Contact SIGNAL	BeCu	gold plated
Contact GROUND	BeCu	gold plated
Barrel	Brass	gold plated
Spring SIGNAL	Spring steel	gold plated
Spring GROUND	Stainless steel	unplated

### Accessories

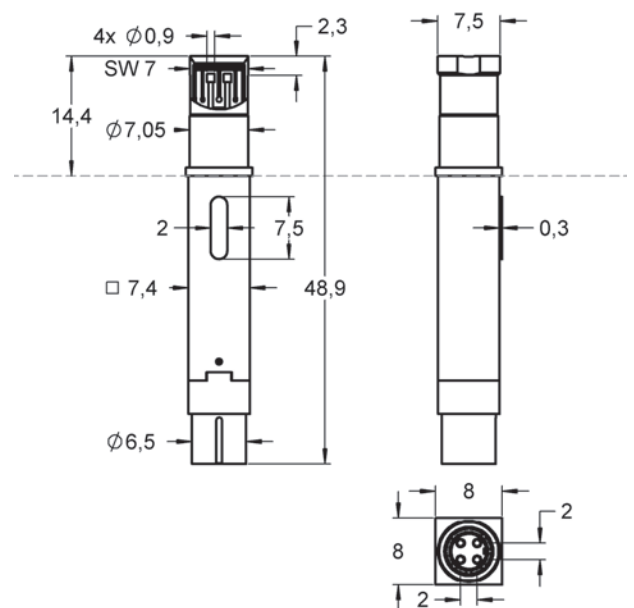
1092029	KT819K01	Carrier
1012728	F08614S090L130	Inner pin
1035933	FZWZ-005	Assembly tool
1013563	H819AEPHSDmL023	Connecting element
1012656	HFAEHSDf3GHSD-fL500	Connecting element

### Order code Product name

1012608	HF819HSDm011G1270H819AEP
---------	--------------------------

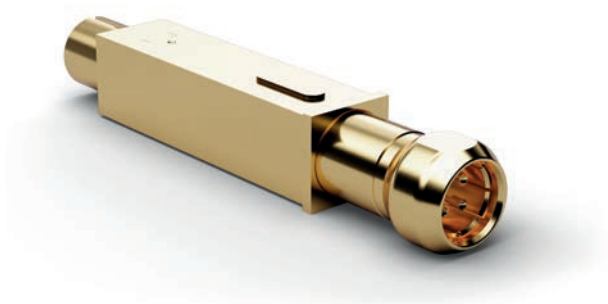
### Series drawing

All measurements are in mm.



# HF819

1 GHz | HSD Male



### Electrical specifications

Temperature [°C]	-45°...+100°
Current INTERNAL [A]	3
Current CIRCULAR [A]	10
Impedance [Ohm]	100
Frequency [GHz]	1

### Mechanical specifications

	4x SIGNAL	1x GROUND
Preload (cN)	75	300
Spring force at nt (cN ±20%)	130	750
Nominal travel (mm)	2.0	5.0
Maximum travel (mm)	3.7	6.0

### Materials and plating

Contact SIGNAL	BeCu	gold plated
Contact GROUND	BeCu	gold plated
Barrel	Brass	gold plated
Spring SIGNAL	Spring steel	gold plated
Spring GROUND	Stainless steel	unplated

### Accessories

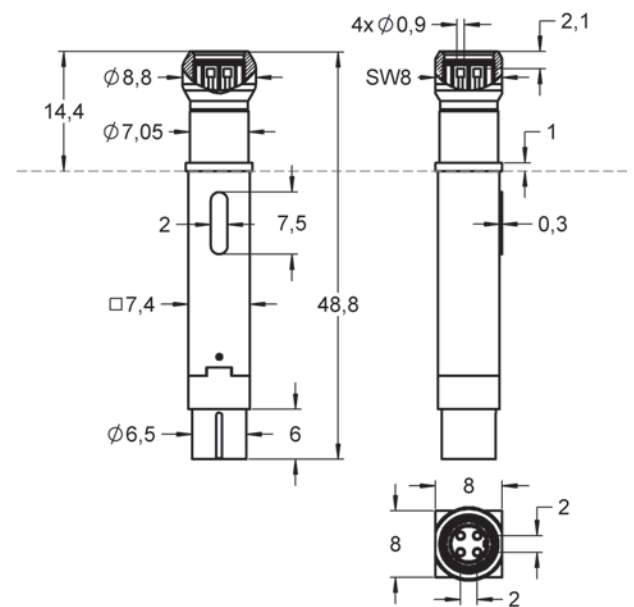
1092029	KT819K01	Carrier
1012577	F08605B090G130	Inner pin
1035933	FZWZ-005	Assembly tool
1013563	H819AEPHSDmL023	Connecting element
1012656	HFAEHSDf3GHSD-fL500	Connecting element

### Order code Product name

1145252	HF819HSDm011G1270H819AESP
1145253	HF819HSDm011G2020H819AESP

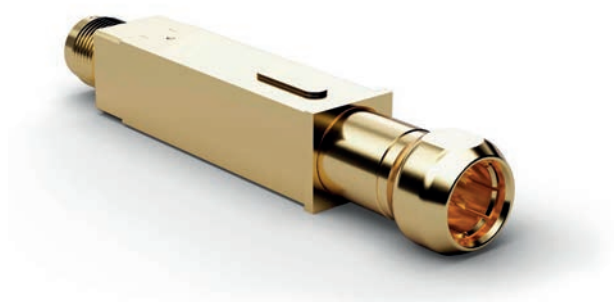
### Series drawing

All measurements are in mm.



# HF819

2 GHz | HSD Male



### Electrical specifications

Temperature [°C]	-45°...+100°
Current INTERNAL [A]	3
Current CIRCULAR [A]	10
Impedance [Ohm]	100
Frequency [GHz]	2

### Mechanical specifications

	4x SIGNAL	1x GROUND
Preload (cN)	75	900
Spring force at nt (cN ±20%)	130	1500
Nominal travel (mm)	2.0	5.0
Maximum travel (mm)	3.7	6.0

### Materials and plating

Contact SIGNAL	BeCu	gold plated
Contact GROUND	BeCu	gold plated
Barrel	Brass	gold plated
Spring SIGNAL	Spring steel	gold plated
Spring GROUND	Stainless steel	unplated

### Accessories

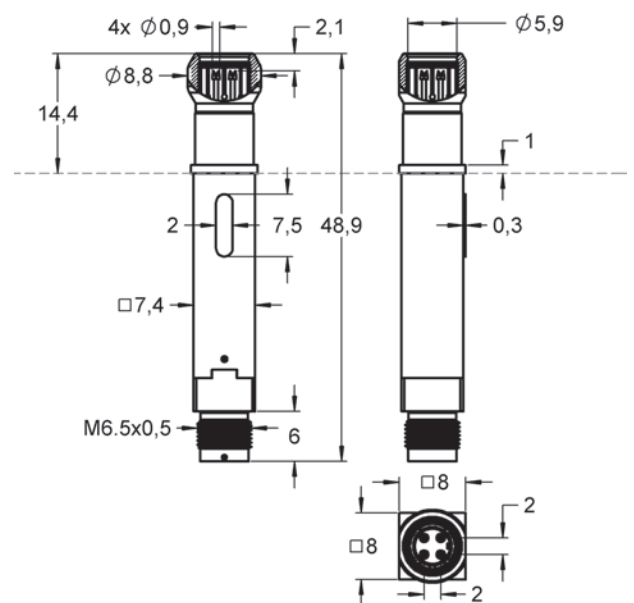
1092029	KT819K01	Carrier
1012728	F08614S090L130	Inner pin
1035933	FZWZ-005	Assembly tool
1034922	H819AESLAL027	Connecting element

### Order code Product name

1088117	HF819HSDm012G2020H819AESP
---------	---------------------------

### Series drawing

All measurements are in mm.



# HF819

3 GHz | HSD Male



### Electrical specifications

Temperature [°C]	-45°...+100°
Current INTERNAL [A]	3
Current CIRCULAR [A]	10
Impedance [Ohm]	100
Frequency [GHz]	3

### Mechanical specifications

	4x SIGNAL	1x GROUND
Preload (cN)	75	900
Spring force at nt (cN ±20%)	130	1500
Nominal travel (mm)	2.0	5.0
Maximum travel (mm)	2.7	6.0

### Materials and plating

Contact SIGNAL	BeCu	gold plated
Contact GROUND	BeCu	gold plated
Barrel	Brass	gold plated
Spring SIGNAL	Spring steel	gold plated
Spring GROUND	Stainless steel	unplated

### Accessories

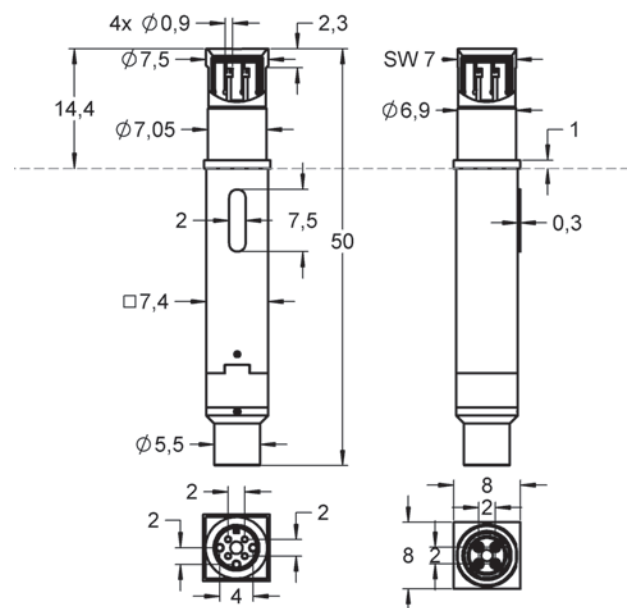
1092029	KT819K01	Carrier
1022361	F08655B090G130	Inner pin
1035933	FZWZ-005	Assembly tool
1012656	HFAEHSDf3GHSD-fL500	Connecting element

### Order code Product name

1023277	HF819HSDm013G2020HSDmPV01
---------	---------------------------

### Series drawing

All measurements are in mm.



# HF819

3 GHz | HSD Male



### Electrical specifications

Temperature [°C]	-45°...+100°
Current INTERNAL [A]	3
Current CIRCULAR [A]	10
Impedance [Ohm]	100
Frequency [GHz]	3

### Mechanical specifications

	4x SIGNAL	1x GROUND
Preload (cN)	75	900
Spring force at nt (cN ±20%)	130	1500
Nominal travel (mm)	2.0	5.0
Maximum travel (mm)	3.1	6.0

### Materials and plating

Contact SIGNAL	BeCu	gold plated
Contact GROUND	BeCu	gold plated
Barrel	Brass	gold plated
Spring SIGNAL	Spring steel	gold plated
Spring GROUND	Stainless steel	unplated

### Accessories

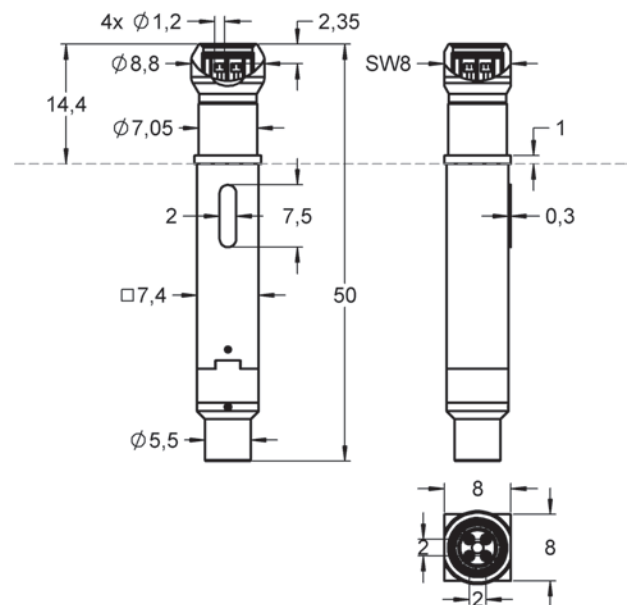
1092029	KT819K01	Carrier
1022361	F08655B090G130	Inner pin
1035933	FZWZ-005	Assembly tool
1012656	HFAEHSDf3GHSD-fL500	Connecting element

### Order code Product name

1034670	HF819HSDm013G2020HSDmPV02
---------	---------------------------

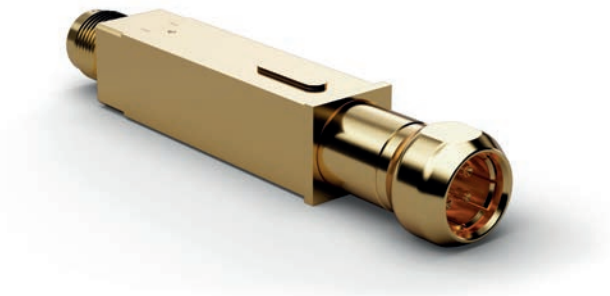
### Series drawing

All measurements are in mm.



# HF819

3 GHz | HSD Male



### Electrical specifications

Temperature [°C]	-45°...+100°
Current INTERNAL [A]	3
Current CIRCULAR [A]	10
Impedance [Ohm]	100
Frequency [GHz]	3

### Mechanical specifications

	4x SIGNAL	1x GROUND
Preload (cN)	75	300
Spring force at nt (cN ±20%)	130	750
Nominal travel (mm)	2.0	5.0
Maximum travel (mm)	3.1	6.0

### Materials and plating

Contact SIGNAL	BeCu	gold plated
Contact GROUND	BeCu	gold plated
Barrel	Brass	gold plated
Spring SIGNAL	Spring steel	gold plated
Spring GROUND	Stainless steel	unplated

### Accessories

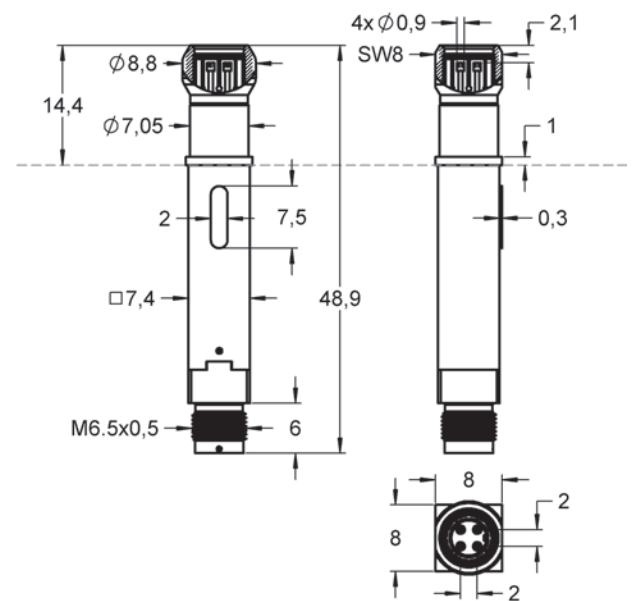
1092029	KT819K01	Carrier
1022361	F08655B090G130	Inner pin
1035933	FZWZ-005	Assembly tool
1034922	H819AESLAL027	Connecting element

### Order code Product name

1090175	HF819HSDm013G1270H819AESP
---------	---------------------------

### Series drawing

All measurements are in mm.



## HF819

3 GHz | HSD Male



### Electrical specifications

Temperature [°C]	-45°...+100°
Current INTERNAL [A]	3
Current CIRCULAR [A]	10
Impedance [Ohm]	100
Frequency [GHz]	3

### Mechanical specifications

	4x SIGNAL	1x GROUND
Preload (cN)	75	900
Spring force at nt (cN ±20%)	130	1500
Nominal travel (mm)	2.0	5.0
Maximum travel (mm)	3.7	6.0

### Materials and plating

Contact SIGNAL	BeCu	gold plated
Contact GROUND	BeCu	gold plated
Barrel	Brass	gold plated
Spring SIGNAL	Spring steel	gold plated
Spring GROUND	Stainless steel	unplated

### Accessories

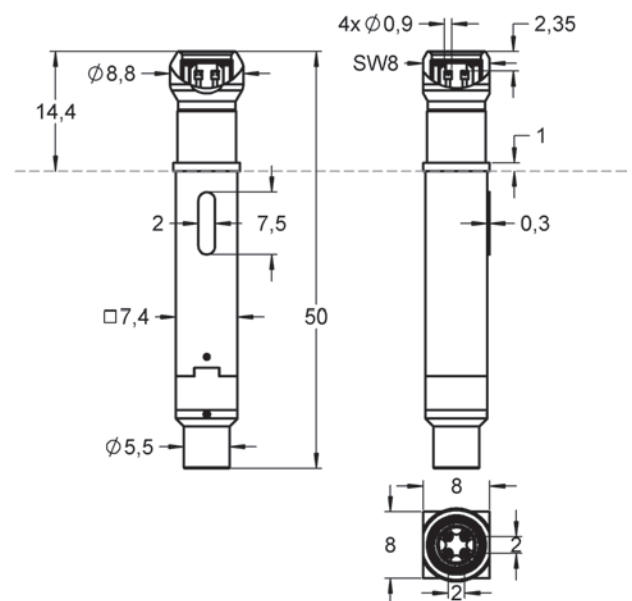
1092029	KT819K01	Carrier
1022361	F08655B090G130	Inner pin
1035933	FZWZ-005	Assembly tool
1012656	HFAEHSDf3GHSD-fL500	Connecting element

### Order code Product name

1142275	HF819HSDm013G2020HSDmP
---------	------------------------

### Series drawing

All measurements are in mm.



# HF819

1 GHz | HSD Female



### Electrical specifications

Temperature [°C]	-45°...+100°
Current INTERNAL [A]	3
Current CIRCULAR [A]	10
Impedance [Ohm]	100
Frequency [GHz]	1

### Mechanical specifications

	4x SIGNAL	1x GROUND
Preload (cN)	75	900
Spring force at nt (cN ±20%)	130	1500
Nominal travel (mm)	2.0	5.0
Maximum travel (mm)	3.7	6.0

### Materials and plating

Contact SIGNAL	BeCu	gold plated
Contact GROUND	BeCu	gold plated
Barrel	Brass	gold plated
Spring SIGNAL	Spring steel	gold plated
Spring GROUND	Stainless steel	unplated

### Accessories

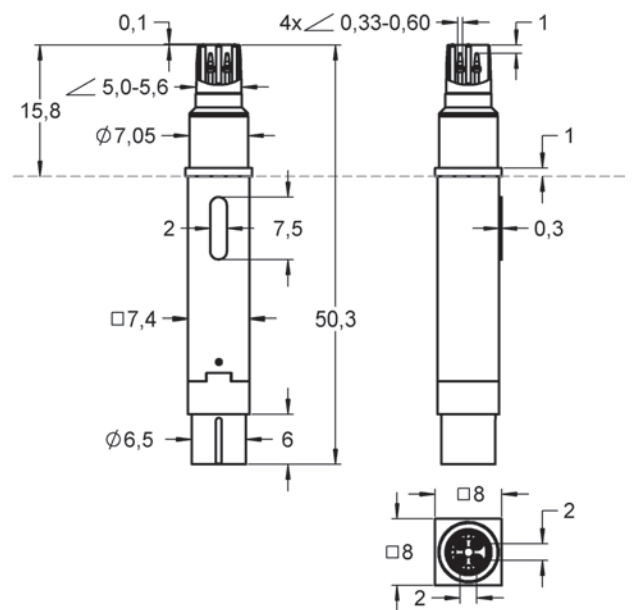
1092029	KT819K01	Carrier
1029008	F08612B-060150090G130L384	Inner pin
1035933	FZWZ-005	Assembly tool
1013563	H819AEPHSDmL023	Connecting element
1012656	HFAEHSDf3GHSD-fL500	Connecting element

### Order code Product name

1033153	HF819HSDf011G2020H819AEP
---------	--------------------------

### Series drawing

All measurements are in mm.





# HF819

1 GHz | HSD Female



### Electrical specifications

Temperature [°C]	-45°...+100°
Current INTERNAL [A]	3
Current CIRCULAR [A]	10
Impedance [Ohm]	100
Frequency [GHz]	1

### Mechanical specifications

	4x SIGNAL	1x GROUND
Preload (cN)	75	900
Spring force at nt (cN ±20%)	105	1500
Nominal travel (mm)	1.0	5.0
Maximum travel (mm)	3.7	6.0

### Materials and plating

Contact SIGNAL	BeCu	gold plated
Contact GROUND	BeCu	gold plated
Barrel	Brass	gold plated
Spring SIGNAL	Spring steel	gold plated
Spring GROUND	Stainless steel	unplated

### Accessories

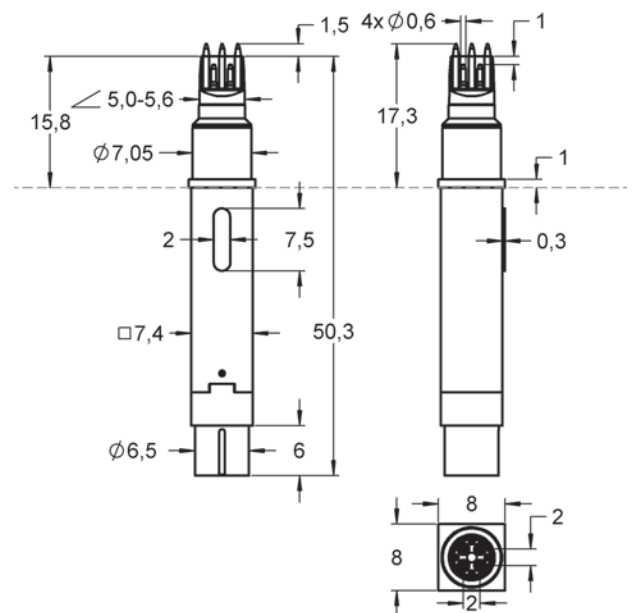
1092029	KT819K01	Carrier
1039263	F08612B-060210090G130L384	Inner pin
1035933	FZWZ-005	Assembly tool
1013563	H819AEPHSDmL023	Connecting element
1012656	HFAEHSDf3GHSD-fL500	Connecting element

### Order code Product name

1039269	HF819HSDf011G1920H819AEP
---------	--------------------------

### Series drawing

All measurements are in mm.



## HF819

1 GHz | HSD Female



### Electrical specifications

Temperature [°C]	-45°...+100°
Current INTERNAL [A]	3
Current CIRCULAR [A]	10
Impedance [Ohm]	100
Frequency [GHz]	1

### Mechanical specifications

	4x SIGNAL	1x GROUND
Preload (cN)	75	900
Spring force at nt (cN ±20%)	130	1500
Nominal travel (mm)	2.0	5.0
Maximum travel (mm)	3.7	6.0

### Materials and plating

Contact SIGNAL	BeCu	gold plated
Contact GROUND	BeCu	gold plated
Barrel	Brass	gold plated
Spring SIGNAL	Spring steel	gold plated
Spring GROUND	Stainless steel	unplated

### Accessories

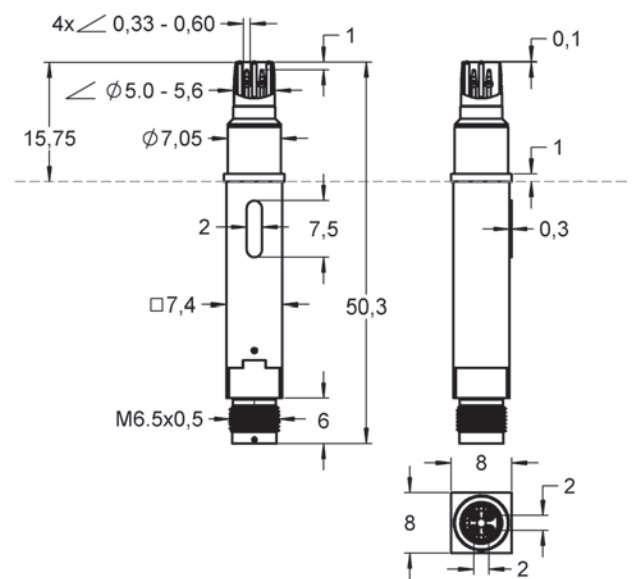
1092029	KT819K01	Carrier
1029008	F08612B-060150090G130L384	Inner pin
1035933	FZWZ-005	Assembly tool
1034922	H819AESLAL027	Connecting element

### Order code Product name

1039288	HF819HSDf011G2020H819AESP
---------	---------------------------

### Series drawing

All measurements are in mm.



# HF819

3 GHz | HSD Male



### Electrical specifications

Temperature [°C]	-45°...+100°
Current INTERNAL [A]	1
Current CIRCULAR [A]	5
Impedance [Ohm]	100
Frequency [GHz]	3

### Mechanical specifications

	4x SIGNAL	1x GROUND
Preload (cN)	50	900
Spring force at nt (cN ±20%)	120	1380
Nominal travel (mm)	2.0	4.0
Maximum travel (mm)	3.0	6.0

### Materials and plating

Contact SIGNAL	BeCu	gold plated
Contact GROUND	BeCu	gold plated
Barrel	Brass	gold plated
Spring SIGNAL	Spring steel	gold plated
Spring GROUND	Stainless steel	unplated

### Accessories

1043433	F82955B090G120	Inner pin
1035933	FZWZ-005	Assembly tool
1012656	HFAEHSDf3GHSD-fL500	Connecting element

### Order code Product name

1044571	HF829HSDm013G1860HSDmF
---------	------------------------

### Series drawing

All measurements are in mm.

