



HF860

1 GHz | GT13

Electrical specifications

Temperature [°C]	-45°...+100°
Current INTERNAL [A]	3
Current CIRCULAR [A]	10
Impedance [Ohm]	50
Frequency [GHz]	1

Mechanical specifications

	SIGNAL	GROUND	
Preload (cN)	75	90	450
Spring force at nt (cN ±20%)	150	400	800
Nominal travel (mm)	2.0	4.0	4.0
Maximum travel (mm)	3.7	5.0	5.0

Materials and plating

Contact SIGNAL	BeCu	gold plated
Contact GROUND	BeCu	gold plated
Barrel	Brass	gold plated
Spring SIGNAL	Spring steel	gold plated
Spring GROUND	Stainless steel	unplated
Receptacle	Brass	gold plated

Accessories

Receptacles H860 see page 132.

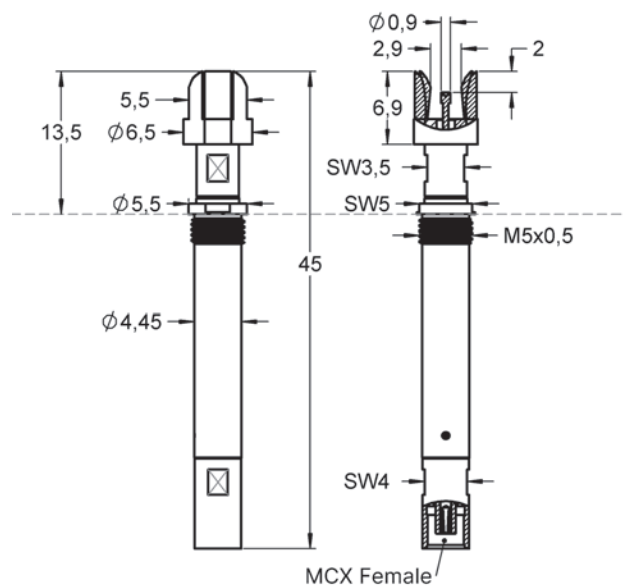
1017393	FEWZ-822E0	Insertion tool receptacle
1012577	F08605B090G130	Inner pin
1035933	FZWZ-005	Assembly tool
Interface	MCX Female	see page 130

Order code Product name

1041700	HF860GT13m011G530MCXfS
1109014	HF860GT13m011G930MCXmS

Series drawing

All measurements are in mm.





HF860

6 GHz | FAKRA Male

Electrical specifications

Temperature [°C]	-45°...+100°
Current INTERNAL [A]	3
Current CIRCULAR [A]	10
Impedance [Ohm]	50
Frequency [GHz]	6

Mechanical specifications

	SIGNAL	GROUND
Preload (cN)	75	90
Spring force at nt (cN ±20%)	150	320
Nominal travel (mm)	2.7	3.0
Maximum travel (mm)	3.7	3.5

Materials and plating

Contact SIGNAL	BeCu	gold plated
Contact GROUND	BeCu	gold plated
Barrel	Brass	gold plated
Spring SIGNAL	Spring steel	gold plated
Spring GROUND	Stainless steel	unplated
Receptacle	Brass	gold plated

Accessories

Receptacles H860 see page 132.

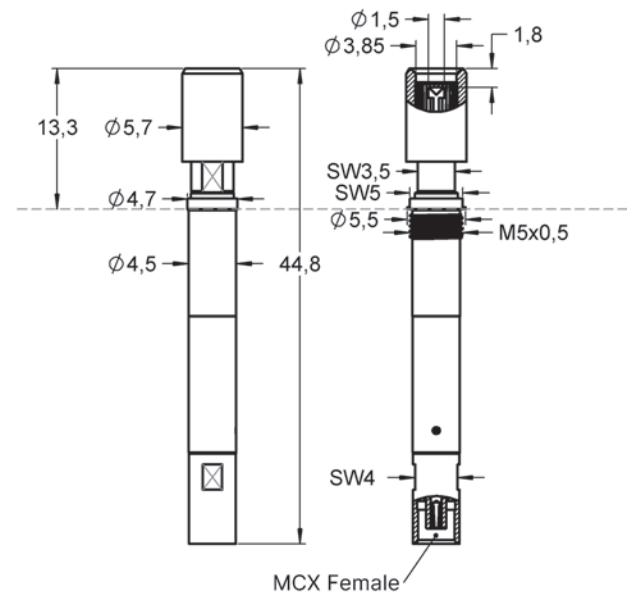
1017393	FEWZ-822E0	Insertion tool receptacle
1012578	F08605B150G130	Inner pin
1035933	FZWZ-005	Assembly tool
Interface	MCX Female	see page 130

Order code Product name

1038817	HF860FAKRAm016G470MCXfS
1020923	HF860FAKRAm016G470MCXfP

Series drawing

All measurements are in mm.



Radio Frequency performance

Typical insertion loss	DC	3 GHz
	up to 3 GHz	up to 6 GHz
Maximum	0.18 dB	0.60 dB
Typical return loss	DC	3 GHz
	up to 3 GHz	up to 6 GHz
Minimum	20 dB	14 dB

This table shows the reference values in the middle and at the end of the recommended frequency.



HF860

6 GHz | FAKRA Male

Electrical specifications

Temperature [°C]	-45°...+100°
Current INTERNAL [A]	3
Current CIRCULAR [A]	10
Impedance [Ohm]	50
Frequency [GHz]	6

Mechanical specifications

	SIGNAL	GROUND
Preload (cN)	75	90 / 450
Spring force at nt (cN ±20%)	150	400 / 800
Nominal travel (mm)	2.0	4.0
Maximum travel (mm)	3.7	5.0

Materials and plating

Contact SIGNAL	BeCu	gold plated
Contact GROUND	BeCu	gold plated
Barrel	Brass	gold plated
Spring SIGNAL	Spring steel	gold plated
Spring GROUND	Stainless steel	unplated
Receptacle	Brass	gold plated

Accessories

Receptacles H860 see page 132.

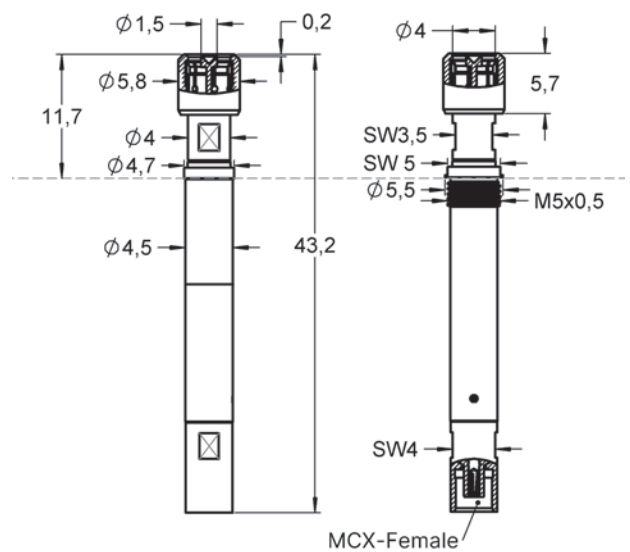
1017393	FEWZ-822E0	Insertion tool receptacle
1012578	F08605B150G130	Inner pin
1035933	FZWZ-005	Assembly tool
Interface	MCX Female	see page 130

Order code Product name

1038942	HF860FAKRAm016G550MCXfS
1033408	HF860FAKRAm016G550MCXfP
1035672	HF860FAKRAm016G950MCXfS
1033407	HF860FAKRAm016G950MCXfPV01

Series drawing

All measurements are in mm.



Radio Frequency performance

Typical insertion loss	DC	3 GHz
	up to 3 GHz	up to 6 GHz
Maximum	0.18 dB	0.60 dB
Typical return loss	DC	3 GHz
	up to 3 GHz	up to 6 GHz
Minimum	20 dB	14 dB

This table shows the reference values in the middle and at the end of the recommended frequency.



HF860

6 GHz | FAKRA Male

Electrical specifications

Temperature [°C]	-45°...+100°
Current INTERNAL [A]	3
Current CIRCULAR [A]	10
Impedance [Ohm]	50
Frequency [GHz]	6

Mechanical specifications

	SIGNAL	GROUND
Preload (cN)	75	450
Spring force at nt (cN ±20%)	150	800
Nominal travel (mm)	2.0	4.0
Maximum travel (mm)	3.7	5.0

Materials and plating

Contact SIGNAL	BeCu	gold plated
Contact GROUND	BeCu	gold plated
Barrel	Brass	gold plated
Spring SIGNAL	Spring steel	gold plated
Spring GROUND	Stainless steel	unplated
Receptacle	Brass	gold plated

Accessories

Receptacles H860 see page 132.

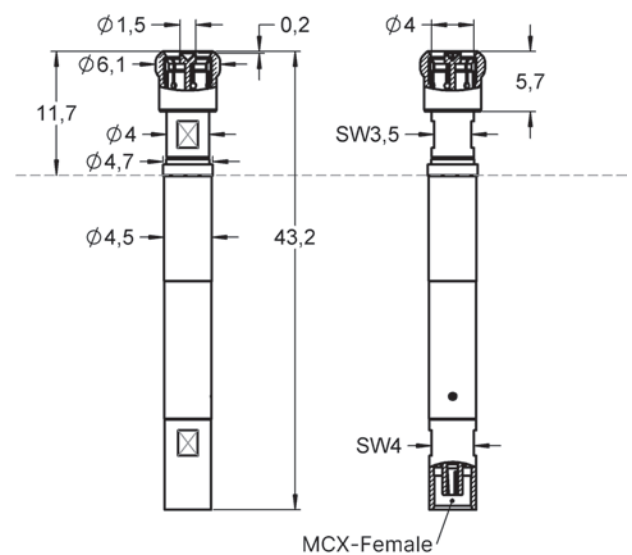
1017393	FEWZ-822E0	Insertion tool receptacle
1012578	F08605B150G130	Inner pin
1103186	F08655B150G130	Inner pin
1035933	FZWZ-005	Assembly tool
Interface	MCX Female	see page 130

Order code Product name

1054896	HF860FAKRAM016G950MCXfPV02
1142361	HF860FAKRAM016G950MCXfPV03

Series drawing

All measurements are in mm.



Radio Frequency performance

Typical insertion loss	DC	3 GHz
	up to 3 GHz	up to 6 GHz
Maximum	0.18 dB	0.60 dB
Typical return loss	DC	3 GHz
	up to 3 GHz	up to 6 GHz
Minimum	20 dB	14 dB

This table shows the reference values in the middle and at the end of the recommended frequency.



HF860

6 GHz | FAKRA Male

Electrical specifications

Temperature [°C]	-45°...+100°
Current INTERNAL [A]	3
Current CIRCULAR [A]	10
Impedance [Ohm]	50
Frequency [GHz]	6

Mechanical specifications

	SIGNAL	GROUND
Preload (cN)	75	450
Spring force at nt (cN ±20%)	150	800
Nominal travel (mm)	2.0	4.0
Maximum travel (mm)	3.7	5.0

Materials and plating

Contact SIGNAL	BeCu	gold plated
Contact GROUND	BeCu	gold plated
Barrel	Brass	gold plated
Spring SIGNAL	Spring steel	gold plated
Spring GROUND	Stainless steel	unplated
Receptacle	Brass	gold plated

Accessories

Receptacles H860 see page 132.

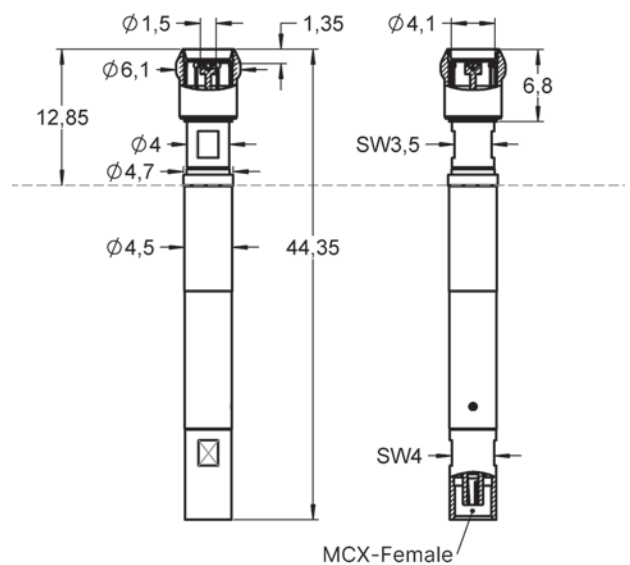
1017393	FEWZ-822E0	Insertion tool receptacle
1103186	F08655B150G130	Inner pin
1035933	FZWZ-005	Assembly tool
Interface	MCX Female	see page 130

Order code Product name

1110093	HF860FAKRAm016G930MCXfP
---------	-------------------------

Series drawing

All measurements are in mm.



Radio Frequency performance

Typical insertion loss	DC up to 3 GHz	3 GHz up to 6 GHz
Maximum	0.18 dB	0.60 dB
Typical return loss	DC up to 3 GHz	3 GHz up to 6 GHz
Minimum	20 dB	14 dB

This table shows the reference values in the middle and at the end of the recommended frequency.



HF860

6 GHz | FAKRA Female

Electrical specifications

Temperature [°C]	-45°...+100°
Current INTERNAL [A]	3
Current CIRCULAR [A]	10
Impedance [Ohm]	50
Frequency [GHz]	6

Mechanical specifications

	SIGNAL	GROUND
Preload (cN)	100	450
Spring force at nt (cN ±20%)	130	800
Nominal travel (mm)	1.0	4.0
Maximum travel (mm)	2.7	5.0

Materials and plating

Contact SIGNAL	BeCu	gold plated
Contact GROUND	BeCu	gold plated
Barrel	Brass	gold plated
Spring SIGNAL	Spring steel	gold plated
Spring GROUND	Stainless steel	unplated
Receptacle	Brass	gold plated

Accessories

Receptacles H860 see page 132.

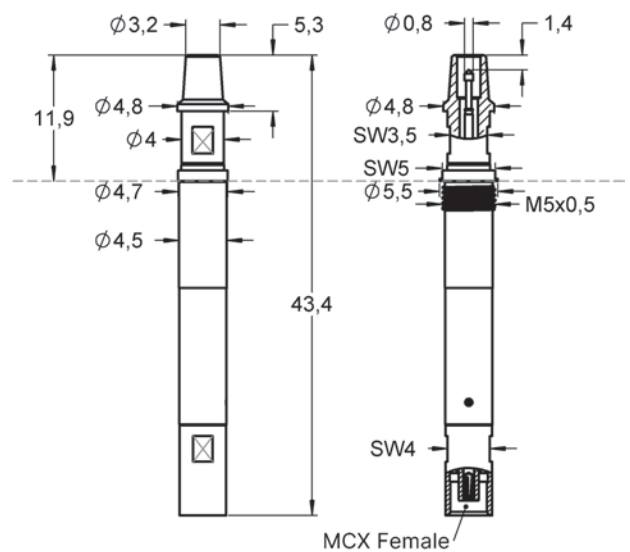
1017393	FEWZ-822E0	Insertion tool receptacle
1029637	F08602B-080G130L350	Inner pin
1035933	FZWZ-005	Assembly tool
Interface	MCX Female	see page 130

Order code Product name

1037081	HF860FAKRAF016G930MCXfSV01
1029428	HF860FAKRAF016G930MCXfP

Series drawing

All measurements are in mm.



Radio Frequency performance

Typical insertion loss	DC	3 GHz
	up to 3 GHz	up to 6 GHz
Maximum	0.10 dB	0.15 dB
Typical return loss	DC	3 GHz
	up to 3 GHz	up to 6 GHz
Minimum	30 dB	20 dB

This table shows the reference values in the middle and at the end of the recommended frequency.

HF860

6 GHz | FAKRA Female



Electrical specifications

Temperature [°C]	-45°...+100°
Current INTERNAL [A]	3
Current CIRCULAR [A]	10
Impedance [Ohm]	50
Frequency [GHz]	6

Mechanical specifications

	SIGNAL	GROUND
Preload (cN)	75	450
Spring force at nt (cN ±20%)	130	800
Nominal travel (mm)	2.0	4.0
Maximum travel (mm)	3.7	5.0

Materials and plating

Contact SIGNAL	BeCu	gold plated
Contact GROUND	BeCu	gold plated
Barrel	Brass	gold plated
Spring SIGNAL	Spring steel	gold plated
Spring GROUND	Stainless steel	unplated
Receptacle	Brass	gold plated

Accessories

Receptacles H860 see page 132.

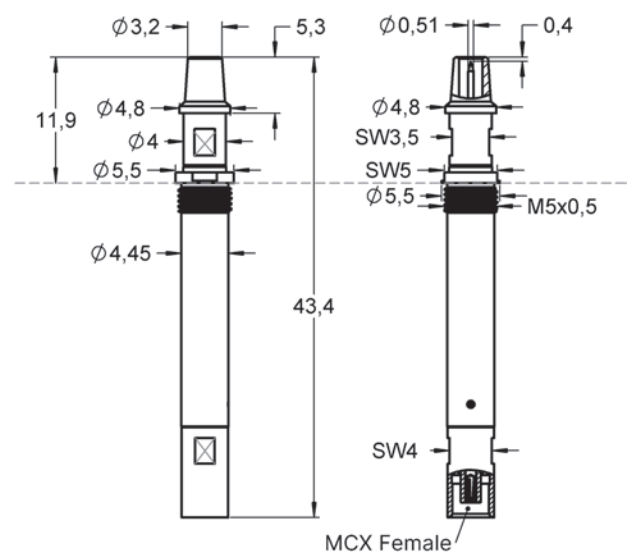
1017393	FEWZ-822E0	Insertion tool receptacle
1023016	F08618B051G130	Inner pin
Interface	MCX Female	see page 130

Order code Product name

1139669 HF860FAKRAF016G930MCXfSV02

Series drawing

All measurements are in mm.



Radio Frequency performance

Typical insertion loss	DC	3 GHz
	up to 3 GHz	up to 6 GHz
Maximum	0.10 dB	0.15 dB
Typical return loss	DC	3 GHz
	up to 3 GHz	up to 6 GHz
Minimum	30 dB	20 dB

This table shows the reference values in the middle and at the end of the recommended frequency.



HF860

4 GHz | PCB coax closed

Electrical specifications

Temperature [°C]	-45°...+100°
Current INTERNAL [A]	3
Current CIRCULAR [A]	10
Impedance [Ohm]	50
Frequency [GHz]	4

Mechanical specifications

	SIGNAL	GROUND
Preload (cN)	75	90
Spring force at nt (cN ±20%)	130	400
Nominal travel (mm)	2.0	4.0
Maximum travel (mm)	2.5	5.0

Materials and plating

Contact SIGNAL	BeCu	gold plated
Contact GROUND	BeCu	gold plated
Barrel	Brass	gold plated
Spring SIGNAL	Spring steel	gold plated
Spring GROUND	Stainless steel	unplated
Receptacle	Brass	gold plated

Accessories

Receptacles H860 see page 132.

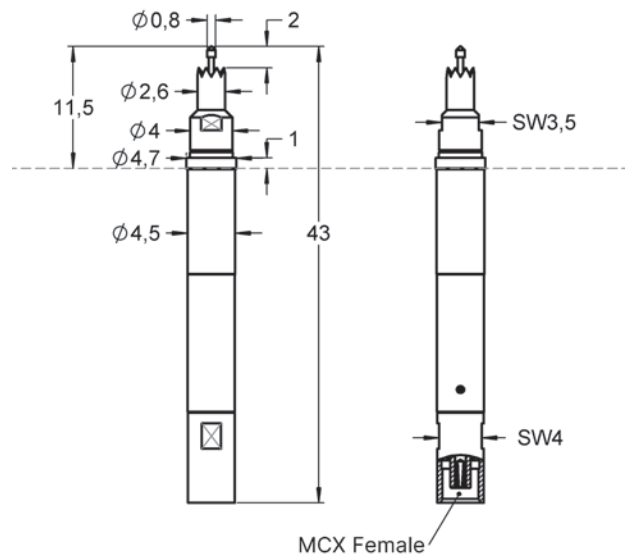
1017393	FEWZ-822E0	Insertion tool receptacle
1012603	F08602B080G130	Inner pin
1035933	FZWZ-005	Assembly tool
Interface	MCX Female	see page 130

Order code Product name

1101325	HF860PCBCC014G530MCXfPV01
---------	---------------------------

Series drawing

All measurements are in mm.



Radio Frequency performance

Typical insertion loss	DC up to 3 GHz	3 GHz up to 6 GHz
Maximum	0.10 dB	0.30 dB
Typical return loss	DC up to 3 GHz	3 GHz up to 6 GHz
Minimum	23 dB	26 dB

This table shows the reference values in the middle and at the end of the recommended frequency.



HF860

4 GHz | PCB coax closed

Electrical specifications

Temperature [°C]	-45°...+100°
Current INTERNAL [A]	3
Current CIRCULAR [A]	10
Impedance [Ohm]	50
Frequency [GHz]	4

Mechanical specifications

	SIGNAL	GROUND
Preload (cN)	75	90
Spring force at nt (cN ±20%)	130	400
Nominal travel (mm)	2.0	4.0
Maximum travel (mm)	2.5	5.0

Materials and plating

Contact SIGNAL	BeCu	gold plated
Contact GROUND	BeCu	gold plated
Barrel	Brass	gold plated
Spring SIGNAL	Spring steel	gold plated
Spring GROUND	Stainless steel	unplated
Receptacle	Brass	gold plated

Accessories

Receptacles H860 see page 132.

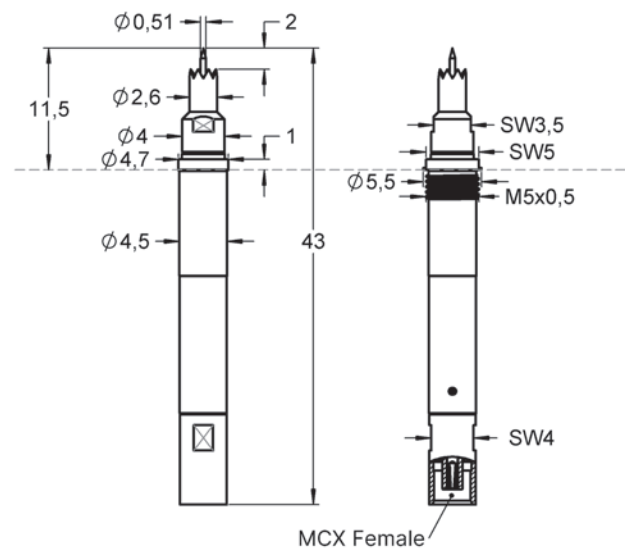
1017393	FEWZ-822E0	Insertion tool receptacle
1023016	F08618B051G130	Inner pin
1035933	FZWZ-005	Assembly tool
Interface	MCX Female	see page 130

Order code Product name

1032689	HF860PCBCC014G530MCXmPV02
1038337	HF860PCBCC014G530MCXmS

Series drawing

All measurements are in mm.



Radio Frequency performance

Typical insertion loss	DC up to 3 GHz	3 GHz up to 6 GHz
Maximum	0.10 dB	0.30 dB
Typical return loss	DC up to 3 GHz	3 GHz up to 6 GHz
Minimum	26 dB	23 dB

This table shows the reference values in the middle and at the end of the recommended frequency.



HF860

6 GHz | PCB Coax open

Electrical specifications

Temperature [°C]	-45°...+100°
Current INTERNAL [A]	3
Current CIRCULAR [A]	10
Impedance [Ohm]	50
Frequency [GHz]	6

Mechanical specifications

	SIGNAL	GROUND
Preload (cN)	75	90
Spring force at nt (cN ±20%)	130	400
Nominal travel (mm)	2.0	4.0
Maximum travel (mm)	2.5	5.0

Materials and plating

Contact SIGNAL	BeCu	gold plated
Contact GROUND	BeCu	gold plated
Barrel	Brass	gold plated
Spring SIGNAL	Spring steel	gold plated
Spring GROUND	Stainless steel	unplated
Receptacle	Brass	gold plated

Accessories

Receptacles H860 see page 132.

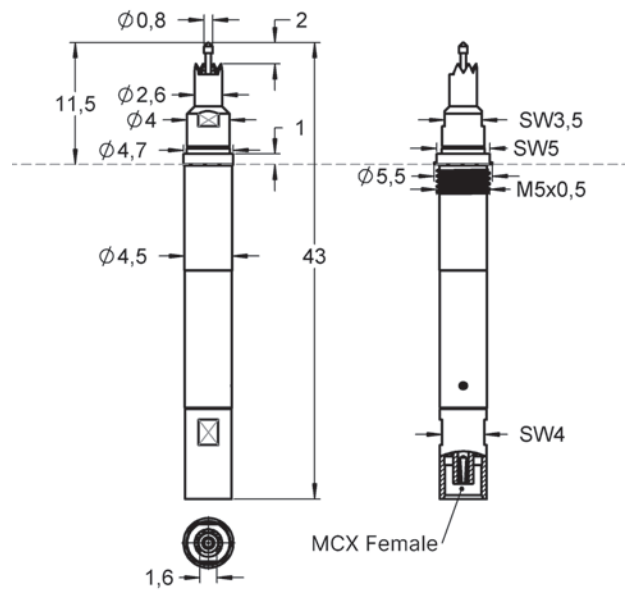
1017393	FEWZ-822E0	Insertion tool receptacle
Interface	MCX Female	see page 130

Order code Product name

1038951	HF860PCBCO016G530MCXfSV01
1021450	HF860PCBCO016G530MCXfPV01

Series drawing

All measurements are in mm.



Radio Frequency performance

Typical insertion loss	DC	3 GHz
	up to 3 GHz	up to 6 GHz
Maximum	0.25 dB	0.70 dB
Typical return loss	DC	3 GHz
	up to 3 GHz	up to 6 GHz
Minimum	20 dB	16 dB

This table shows the reference values in the middle and at the end of the recommended frequency.



HF860

6 GHz | PCB Coax open

Electrical specifications

Temperature [°C]	-45°...+100°
Current INTERNAL [A]	3
Current CIRCULAR [A]	10
Impedance [Ohm]	50
Frequency [GHz]	6

Mechanical specifications

	SIGNAL	GROUND
Preload (cN)	75	90 / 450
Spring force at nt (cN ±20%)	130	400 / 800
Nominal travel (mm)	2.0	4.0
Maximum travel (mm)	2.5	5.0

Materials and plating

Contact SIGNAL	BeCu	gold plated
Contact GROUND	BeCu	gold plated
Barrel	Brass	gold plated
Spring SIGNAL	Spring steel	gold plated
Spring GROUND	Stainless steel	unplated
Receptacle	Brass	gold plated

Accessories

Receptacles H860 see page 132.

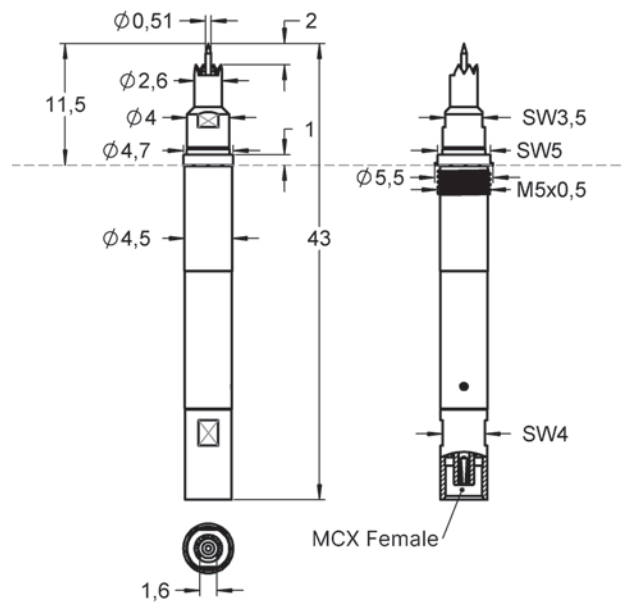
1017393	FEWZ-822E0	Insertion tool receptacle
1023016	F08618B051G130	Inner pin
Interface	MCX Female	see page 130

Order code Product name

1038941	HF860PCBCO016G530MCXfSV02
1023017	HF860PCBCO016G530MCXfPV02
1038921	HF860PCBCO016G930MCXfS
1031632	HF860PCBCO016G930MCXfP

Series drawing

All measurements are in mm.



Radio Frequency performance

Typical insertion loss	DC up to 3 GHz	3 GHz up to 6 GHz
	Maximum	0.25 dB / 0.70 dB
Typical return loss	DC up to 3 GHz	3 GHz up to 6 GHz
	Minimum	20 dB / 16 dB

This table shows the reference values in the middle and at the end of the recommended frequency.



HF860

4 GHz | PCB Coax kidney shaped

Electrical specifications

Temperature [°C]	-45°...+100°
Current INTERNAL [A]	3
Current CIRCULAR [A]	10
Impedance [Ohm]	50
Frequency [GHz]	4

Mechanical specifications

	SIGNAL	GROUND
Preload (cN)	75	90
Spring force at nt (cN ±20%)	130	400
Nominal travel (mm)	2.0	4.0
Maximum travel (mm)	2.5	5.0

Materials and plating

Contact SIGNAL	BeCu	gold plated
Contact GROUND	BeCu	gold plated
Barrel	Brass	gold plated
Spring SIGNAL	Spring steel	gold plated
Spring GROUND	Stainless steel	unplated
Receptacle	Brass	gold plated

Accessories

Receptacles H860 see page 132.

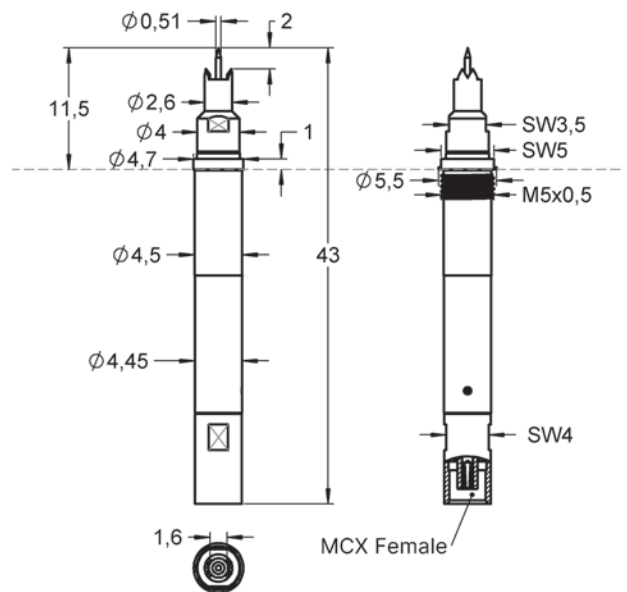
1017393	FEWZ-822E0	Insertion tool receptacle
1023016	F08618B051G130	Inner pin
Interface	MCX Female	see page 130

Order code Product name

1038920	HF860PCBCK014G530MCXfS
1032697	HF860PCBCK014G530MCXfP

Series drawing

All measurements are in mm.



Radio Frequency performance

Typical insertion loss	DC up to 3 GHz	3 GHz up to 6 GHz
Maximum	0.10 dB	0.34 dB
Typical return loss	DC up to 3 GHz	3 GHz up to 6 GHz
Minimum	27 dB	13 dB

This table shows the reference values in the middle and at the end of the recommended frequency.



HF860

6 GHz | PCB PAD GSG

Electrical specifications

Temperature [°C]	-45°...+100°
Current INTERNAL [A]	3
Current CIRCULAR [A]	5
Impedance [Ohm]	50
Frequency [GHz]	6

Mechanical specifications

	GROUND PINS	SIGNAL (RIGID)	GROUND BODY
Preload (cN)	40	-	450
Spring force at nt (cN ±20%)	80	-	800
Nominal travel (mm)	1.0	-	4.0
Maximum travel (mm)	1.5	-	5.0

Materials and plating

Contact SIGNAL	BeCu	gold plated
Contact GROUND	BeCu	gold plated
Barrel	Brass	gold plated
Spring GROUND PIN	Spring steel	silver plated
Spring GROUND	Stainless steel	unplated
Receptacle	Brass	gold plated

Accessories

Receptacles H860 see page 132.

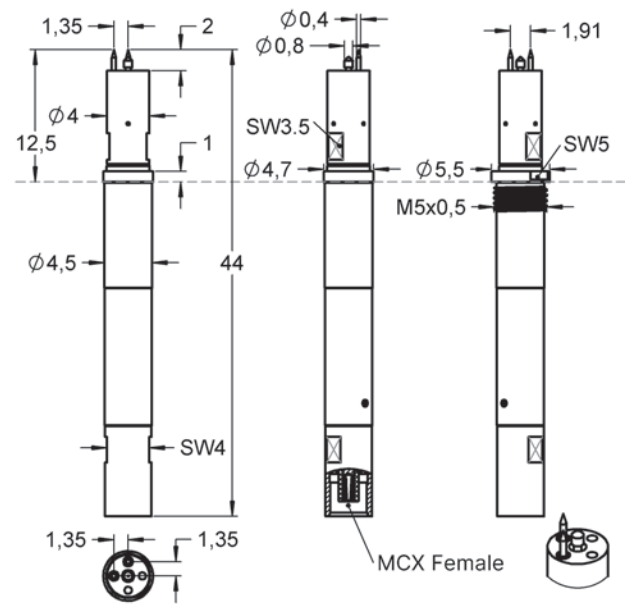
1017393	FEWZ-822E0	Insertion tool receptacle
Interface	MCX Female	see page 130

Order code Product name

1038964	HF860PCBGSG016G960MCXfS
1021449	HF860PCBGSG016G960MCXfPV01

Series drawing

All measurements are in mm.



Radio Frequency performance

Typical insertion loss	DC up to 3 GHz	3 GHz up to 6 GHz
Maximum	0.25 dB	0.40 dB
Typical return loss	DC up to 3 GHz	3 GHz up to 6 GHz
Minimum	24 dB	19 dB

This table shows the reference values in the middle and at the end of the recommended frequency.



HF860

6 GHz | PCB PAD GSG

Electrical specifications

Temperature [°C]	-45°...+100°
Current INTERNAL [A]	3
Current CIRCULAR [A]	5
Impedance [Ohm]	50
Frequency [GHz]	6

Mechanical specifications

	GROUND PINS	SIGNAL (RIGID)	GROUND BODY
Preload (cN)	40	-	450
Spring force at nt (cN ±20%)	80	-	800
Nominal travel (mm)	1.0	-	4.0
Maximum travel (mm)	1.5	-	5.0

Materials and plating

Contact SIGNAL	BeCu	gold plated
Contact GROUND	BeCu	gold plated
Barrel	Brass	gold plated
Spring GROUND PIN	Spring steel	gold plated
Spring GROUND	Stainless steel	unplated
Receptacle	Brass	gold plated

Accessories

Receptacles H860 see page 132.

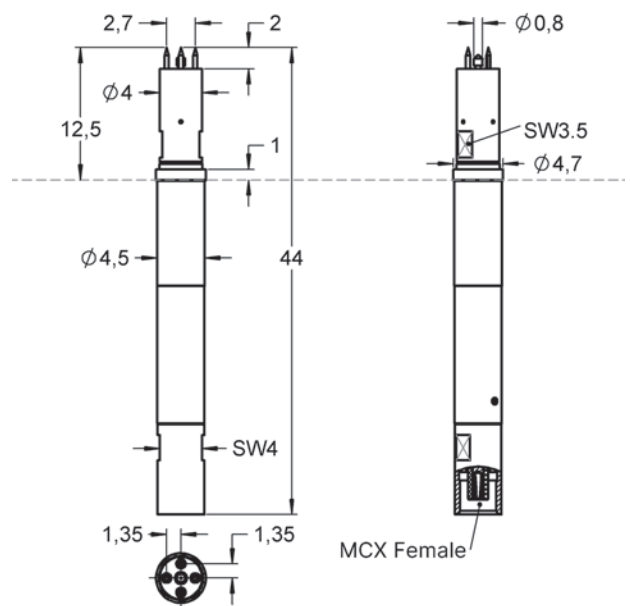
1017393	FEWZ-822E0	Insertion tool receptacle
Interface	MCX Female	see page 130

Order code Product name

1043726 HF860PCBGSG016G960MCXfPV02

Series drawing

All measurements are in mm.



Radio Frequency performance

Typical insertion loss	DC up to 3 GHz	3 GHz up to 6 GHz
Maximum	0.25 dB	0.40 dB
Typical return loss	DC up to 3 GHz	3 GHz up to 6 GHz
Minimum	24 dB	19 dB

This table shows the reference values in the middle and at the end of the recommended frequency.



HF860

6 GHz | PCB PAD SG

Electrical specifications

Temperature [°C]	-45°...+100°
Current INTERNAL [A]	3
Current CIRCULAR [A]	5
Impedance [Ohm]	50
Frequency [GHz]	6

Mechanical specifications

	GROUND PINS	SIGNAL (RIGID)	GROUND BODY
Preload (cN)	40	-	450
Spring force at nt (cN ±20%)	80	-	800
Nominal travel (mm)	1.0	-	4.0
Maximum travel (mm)	1.5	-	5.0

Materials and plating

Contact SIGNAL	BeCu	gold plated
Contact GROUND	BeCu	gold plated
Barrel	Brass	gold plated
Spring GROUND PIN	Spring steel	silver plated
Spring GROUND	Stainless steel	unplated
Receptacle	Brass	gold plated

Accessories

Receptacles H860 see page 132.

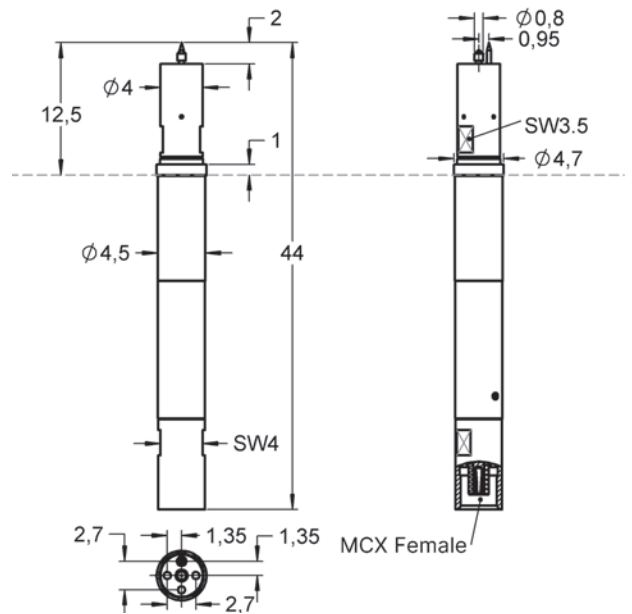
1017393	FEWZ-822E0	Insertion tool receptacle
Interface	MCX Female	see page 130

Order code Product name

1052669 HF860PCBGS016G880MCXfP

Series drawing

All measurements are in mm.



Radio Frequency performance

Typical insertion loss	DC up to 3 GHz	3 GHz up to 6 GHz
Maximum	0.25 dB	0.40 dB
Typical return loss	DC up to 3 GHz	3 GHz up to 6 GHz
Minimum	24 dB	19 dB

This table shows the reference values in the middle and at the end of the recommended frequency.



HF860

6 GHz | PCB PAD SG

Electrical specifications

Temperature [°C]	-45°...+100°
Current INTERNAL [A]	3
Current CIRCULAR [A]	5
Impedance [Ohm]	50
Frequency [GHz]	6

Mechanical specifications

	GROUND PINS	SIGNAL (RIGID)	GROUND BODY
Preload (cN)	40	-	450
Spring force at nt (cN ±20%)	80	-	750
Nominal travel (mm)	1.0	-	3.0
Maximum travel (mm)	1.5	-	4.0

Materials and plating

Contact SIGNAL	BeCu	gold plated
Contact GROUND	BeCu	gold plated
Barrel	Brass	gold plated
Spring GROUND PIN	Spring steel	gold plated
Spring GROUND	Stainless steel	unplated
Receptacle	Brass	gold plated

Accessories

Receptacles H860 see page 132.

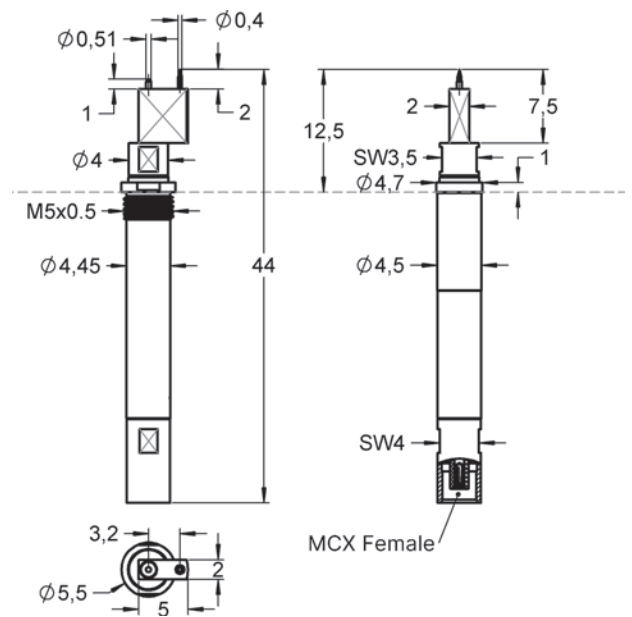
1017393	FEWZ-822E0	Insertion tool receptacle
Interface	MCX Female	see page 130

Order code Product name

1118503	HF860PCBGS016G830MCxfS
1021014	HF860PCBGS016G830MCxfP

Series drawing

All measurements are in mm.





HF860

4 GHz | DIN 1.0 / 2.3

Electrical specifications

Temperature [°C]	-45°...+100°
Current INTERNAL [A]	3
Current CIRCULAR [A]	10
Impedance [Ohm]	50
Frequency [GHz]	4

Mechanical specifications

	SIGNAL	GROUND
Preload (cN)	75	90
Spring force at nt (cN ±20%)	130	400
Nominal travel (mm)	2.0	4.0
Maximum travel (mm)	3.7	5.0

Materials and plating

Contact SIGNAL	BeCu	gold plated
Contact GROUND	BeCu	gold plated
Barrel	Brass	gold plated
Spring SIGNAL	Spring steel	gold plated
Spring GROUND	Stainless steel	unplated
Receptacle	Brass	gold plated

Accessories

Receptacles H860 see page 132.

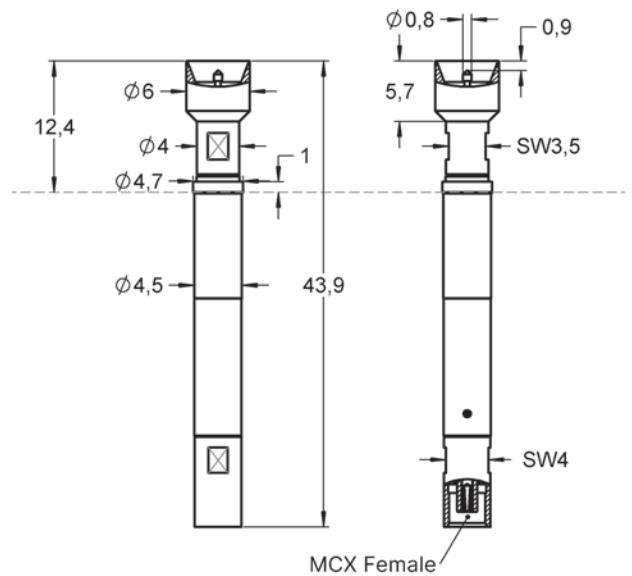
1017393	FEWZ-822E0	Insertion tool receptacle
1012603	F08602B080G130	Inner pin
1035933	FZWZ-005	Assembly tool
Interface	MCX Female	see page 130

Order code Product name

1032825	HF860DIN 1,0/2,3014G530MCXfP
---------	------------------------------

Series drawing

All measurements are in mm.



Radio Frequency performance

Typical insertion loss	DC up to 3 GHz	3 GHz up to 6 GHz
Maximum	0.15 dB	0.39 dB
Typical return loss	DC up to 3 GHz	3 GHz up to 6 GHz
Minimum	17.5 dB	12 dB

This table shows the reference values in the middle and at the end of the recommended frequency.



HF860

5 GHz | U.FL Male

Electrical specifications

Temperature [°C]	-45°...+100°
Current INTERNAL [A]	3
Current CIRCULAR [A]	10
Impedance [Ohm]	50
Frequency [GHz]	5

Mechanical specifications

	SIGNAL	GROUND
Preload (cN)	75	90
Spring force at nt (cN ±20%)	130	400
Nominal travel (mm)	2.0	4.0
Maximum travel (mm)	3.7	5.0

Materials and plating

Contact SIGNAL	BeCu	gold plated
Contact GROUND	BeCu	gold plated
Barrel	Brass	gold plated
Spring SIGNAL	Spring steel	gold plated
Spring GROUND	Stainless steel	unplated
Receptacle	Brass	gold plated

Accessories

Receptacles H860 see page 132.

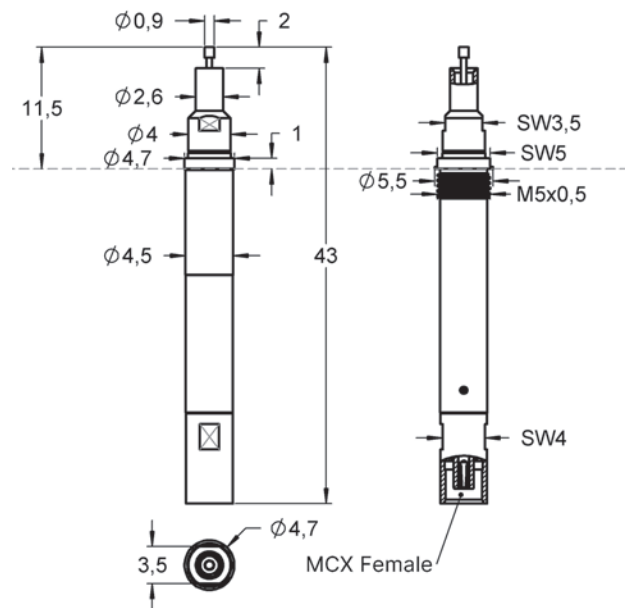
1017393	FEWZ-822E0	Insertion tool receptacle
1012603	F08602B080G130	Inner pin
1035933	FZWZ-005	Assembly tool
Interface	MCX Female	see page 130

Order code Product name

1038302	HF860UFLm015G530MCXfS
1012584	HF860UFLm015G530MCXfP

Series drawing

All measurements are in mm.



Radio Frequency performance

Typical insertion loss	DC up to 3 GHz	3 GHz up to 6 GHz
	Maximum	0.28 dB / 0.5 dB
Typical return loss	DC up to 3 GHz	3 GHz up to 6 GHz
	Minimum	15 dB / 10 dB

This table shows the reference values in the middle and at the end of the recommended frequency.



HF860

4 GHz | BMA Male

Electrical specifications

Temperature [°C]	-45°...+100°
Current INTERNAL [A]	3
Current CIRCULAR [A]	10
Impedance [Ohm]	50
Frequency [GHz]	4

Mechanical specifications

	SIGNAL	GROUND
Preload (cN)	75	90
Spring force at nt (cN ±20%)	130	400
Nominal travel (mm)	2.0	4.0
Maximum travel (mm)	2.7	5.0

Materials and plating

Contact SIGNAL	BeCu	gold plated
Contact GROUND	BeCu	gold plated
Barrel	Brass	gold plated
Spring SIGNAL	Spring steel	gold plated
Spring GROUND	Stainless steel	unplated
Receptacle	Brass	gold plated

Accessories

Receptacles H860 see page 132.

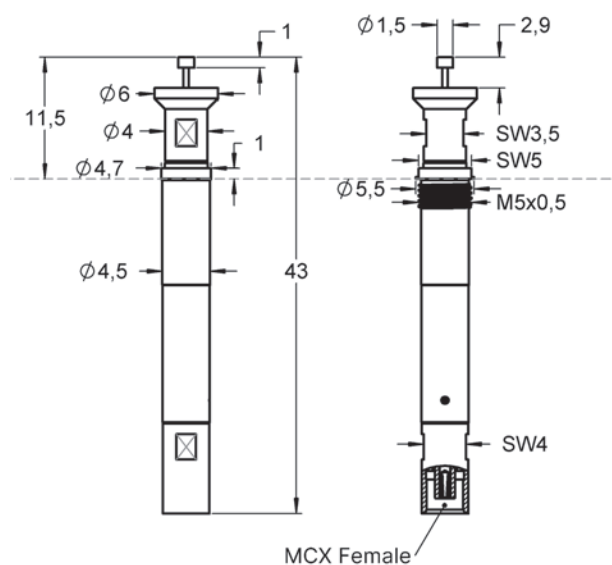
1017393	FEWZ-822E0	Insertion tool receptacle
1012578	F08605B150G130	Inner pin
1035933	FZWZ-005	Assembly tool
Interface	MCX Female	see page 130

Order code Product name

1039103	HF860BMAm014G530MCXFS
1023932	HF860BMAm014G530MCXfP

Series drawing

All measurements are in mm.



Radio Frequency performance

Typical insertion loss	DC	3 GHz
	up to 3 GHz	up to 6 GHz
Maximum	0.50 dB	0.70 dB
Typical return loss	DC	3 GHz
	up to 3 GHz	up to 6 GHz
Minimum	19 dB	16 dB

This table shows the reference values in the middle and at the end of the recommended frequency.



HF860

4 GHz | BNC Female

Electrical specifications

Temperature [°C]	-45°...+100°
Current INTERNAL [A]	3
Current CIRCULAR [A]	10
Impedance [Ohm]	50
Frequency [GHz]	4

Mechanical specifications

	SIGNAL	GROUND
Preload (cN)	75	90
Spring force at nt (cN ±20%)	150	400
Nominal travel (mm)	2.0	4.0
Maximum travel (mm)	2.7	5.0

Materials and plating

Contact SIGNAL	BeCu	gold plated
Contact GROUND	BeCu	gold plated
Barrel	Brass	gold plated
Spring SIGNAL	Spring steel	gold plated
Spring GROUND	Stainless steel	unplated
Receptacle	Brass	gold plated

Accessories

Receptacles H860 see page 132.

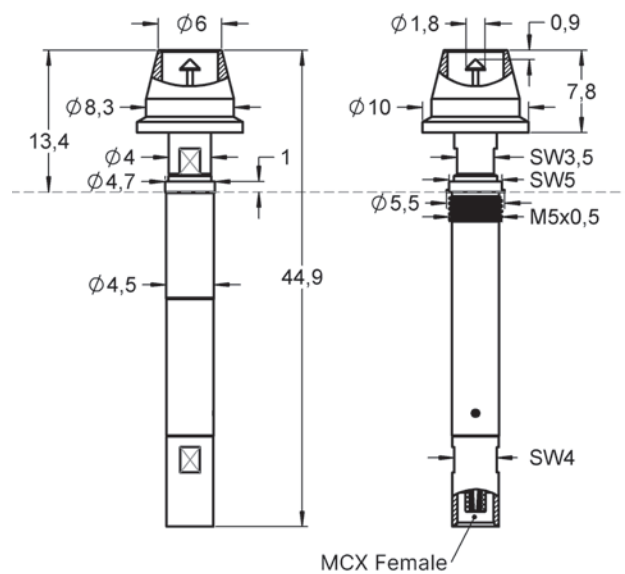
1017393	FEWZ-822E0	Insertion tool receptacle
Interface	MCX Female	see page 130

Order code Product name

1039082	HF860BNCf014G550MCXfS
1032634	HF860BNCf014G550MCXfP

Series drawing

All measurements are in mm.



Radio Frequency performance

Typical insertion loss	DC up to 3 GHz	3 GHz up to 6 GHz
Maximum	0,10 dB	0.20 dB
Typical return loss	DC up to 3 GHz	3 GHz up to 6 GHz
Minimum	28 dB	19 dB

This table shows the reference values in the middle and at the end of the recommended frequency.



HF860

4 GHz | GT16 Male

Electrical specifications

Temperature [°C]	-45°...+100°
Current INTERNAL [A]	3
Current CIRCULAR [A]	10
Impedance [Ohm]	50
Frequency [GHz]	4

Mechanical specifications

	SIGNAL	GROUND
Preload (cN)	75	90
Spring force at nt (cN ±20%)	130	400
Nominal travel (mm)	2.0	4.0
Maximum travel (mm)	3.7	5.0

Materials and plating

Contact SIGNAL	BeCu	gold plated
Contact GROUND	BeCu	gold plated
Barrel	Brass	gold plated
Spring SIGNAL	Spring steel	gold plated
Spring GROUND	Stainless steel	unplated
Receptacle	Brass	gold plated

Accessories

Receptacles H860 see page 132.

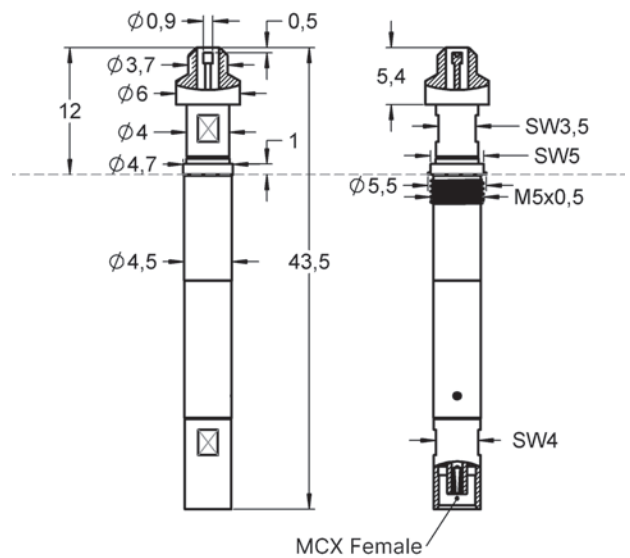
1017393	FEWZ-822E0	Insertion tool receptacle
Interface	MCX Female	see page 130

Order code Product name

1032960	HF860GT16m014G530MCXfP
---------	------------------------

Series drawing

All measurements are in mm.



Radio Frequency performance

Typical insertion loss	DC	3 GHz
	up to 3 GHz	up to 6 GHz
Maximum	0.14 dB	0.42 dB
Typical return loss	DC	3 GHz
	up to 3 GHz	up to 6 GHz
Minimum	19 dB	12 dB

This table shows the reference values in the middle and at the end of the recommended frequency.



HF860

4 GHz | MMBX Female

Electrical specifications

Temperature [°C]	-45°...+100°
Current INTERNAL [A]	3
Current CIRCULAR [A]	10
Impedance [Ohm]	50
Frequency [GHz]	4

Mechanical specifications

	SIGNAL	GROUND
Preload (cN)	75	90
Spring force at nt (cN ±20%)	130	400
Nominal travel (mm)	2.0	4.0
Maximum travel (mm)	2.7	5.0

Materials and plating

Contact SIGNAL	BeCu	gold plated
Contact GROUND	BeCu	gold plated
Barrel	Brass	gold plated
Spring SIGNAL	Spring steel	gold plated
Spring GROUND	Stainless steel	unplated
Receptacle	Brass	gold plated

Accessories

Receptacles H860 see page 132.

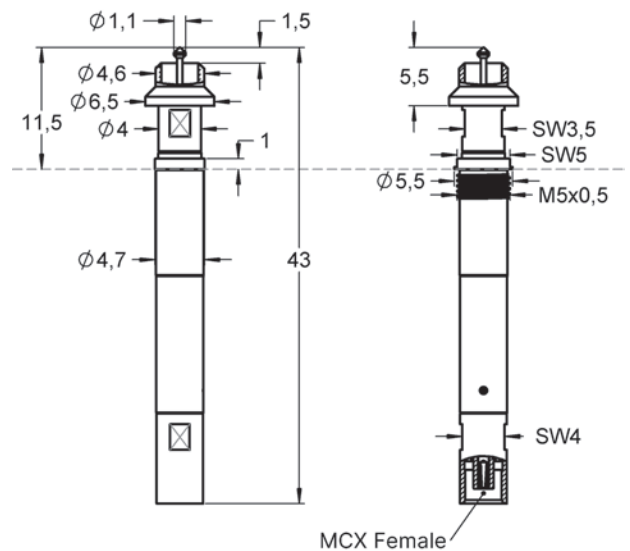
1017393	FEWZ-822E0	Insertion tool receptacle
1032963	F08602B110G130	Inner pin
1035933	FZWZ-005	Assembly tool
Interface	MCX Female	see page 130

Order code Product name

1039120	HF860MMBXf014G530MCXfS
1032966	HF860MMBXf014G530MCXfP

Series drawing

All measurements are in mm.



Radio Frequency performance

Typical insertion loss	DC	3 GHz
	up to 3 GHz	up to 6 GHz
Maximum	0.20 dB	0.52 dB
Typical return loss	DC	3 GHz
	up to 3 GHz	up to 6 GHz
Minimum	16 dB	10.5 dB

This table shows the reference values in the middle and at the end of the recommended frequency.



HF860

6 GHz | MMCX Female

Electrical specifications

Temperature [°C]	-45°...+100°
Current INTERNAL [A]	3
Current CIRCULAR [A]	10
Impedance [Ohm]	50
Frequency [GHz]	6

Mechanical specifications

	SIGNAL	GROUND
Preload (cN)	100	90
Spring force at nt (cN ±20%)	130	400
Nominal travel (mm)	1.2	4.0
Maximum travel (mm)	1.9	5.0

Materials and plating

Contact SIGNAL	BeCu	gold plated
Contact GROUND	BeCu	gold plated
Barrel	Brass	gold plated
Spring SIGNAL	Spring steel	gold plated
Spring GROUND	Stainless steel	unplated
Receptacle	Brass	gold plated

Accessories

Receptacles H860 see page 132.

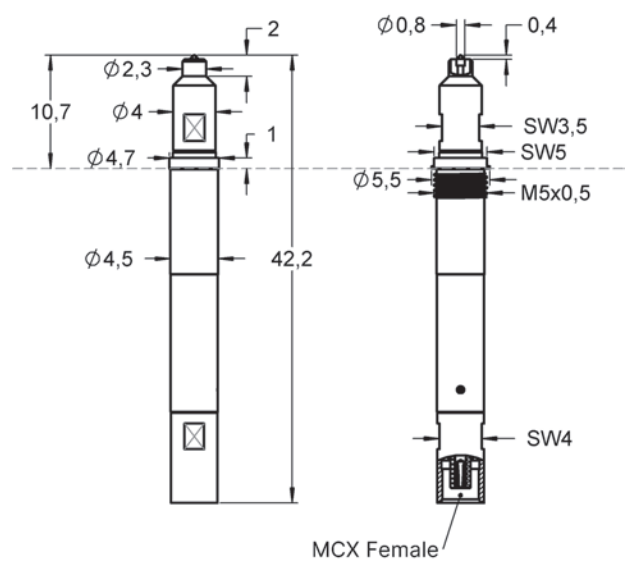
1017393	FEWZ-822E0	Insertion tool receptacle
Interface	MCX Female	see page 130

Order code Product name

1039074	HF860MMCXf016G530MCXfS
1032011	HF860MMCXf016G530MCXfP

Series drawing

All measurements are in mm.



Radio Frequency performance

Typical insertion loss	DC up to 3 GHz	3 GHz up to 6 GHz
Maximum	0.08 dB	0.20 dB
Typical return loss	DC up to 3 GHz	3 GHz up to 6 GHz
Minimum	30 dB	18 dB

This table shows the reference values in the middle and at the end of the recommended frequency.



HF860

2 GHz | RF Male

Electrical specifications

Temperature [°C]	-45°...+100°
Current INTERNAL [A]	3
Current CIRCULAR [A]	10
Impedance [Ohm]	50
Frequency [GHz]	2

Mechanical specifications

	SIGNAL	GROUND
Preload (cN)	115	400
Spring force at nt (cN ±20%)	190	600
Nominal travel (mm)	2.0	4.0
Maximum travel (mm)	3.7	5.0

Materials and plating

Contact SIGNAL	BeCu	gold plated
Contact GROUND	BeCu	gold plated
Barrel	Brass	gold plated
Spring SIGNAL	Spring steel	gold plated
Spring GROUND	Stainless steel	unplated
Receptacle	Brass	gold plated

Accessories

Receptacles H860 see page 132.

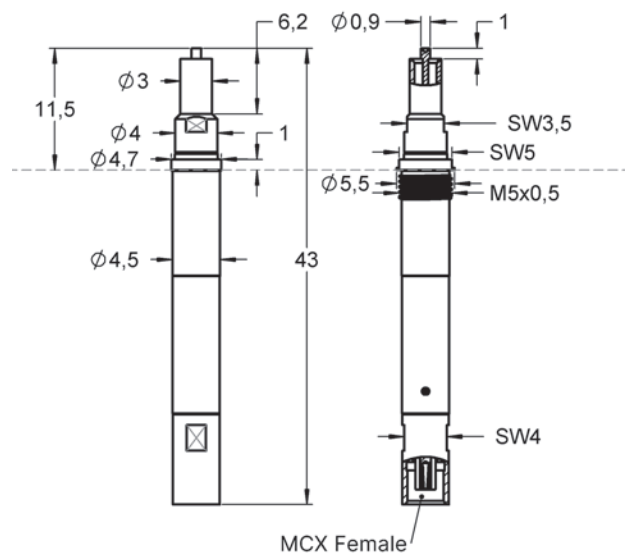
1017393	FEWZ-822E0	Insertion tool receptacle
1032932	F08605B150G190	Inner pin
1035933	FZWZ-005	Assembly tool
Interface	MCX Female	see page 130

Order code Product name

1012588	HF860RFm016G530MCXmP
1039104	HF860RFm016G530MCXmS

Series drawing

All measurements are in mm.



Radio Frequency performance

Typical insertion loss	DC	3 GHz
	up to 3 GHz	up to 6 GHz
Maximum	0.38 dB	0.65 dB
Typical return loss	DC	3 GHz
	up to 3 GHz	up to 6 GHz
Minimum	15 dB	12 dB

This table shows the reference values in the middle and at the end of the recommended frequency.



HF860

6 GHz | QMA Female

Electrical specifications

Temperature [°C]	-45°...+100°
Current INTERNAL [A]	3
Current CIRCULAR [A]	10
Impedance [Ohm]	50
Frequency [GHz]	6

Mechanical specifications

	SIGNAL	GROUND
Preload (cN)	75	400
Spring force at nt (cN ±20%)	130	600
Nominal travel (mm)	2.0	4.0
Maximum travel (mm)	2.5	5.0

Materials and plating

Contact SIGNAL	BeCu	gold plated
Contact GROUND	BeCu	gold plated
Barrel	Brass	gold plated
Spring SIGNAL	Spring steel	gold plated
Spring GROUND	Stainless steel	unplated
Receptacle	Brass	gold plated

Accessories

Receptacles H860 see page 132.

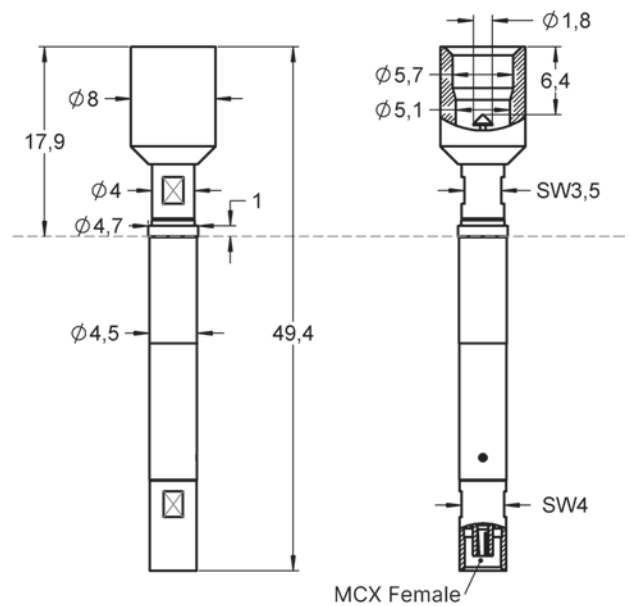
1017393	FEWZ-822E0	Insertion tool receptacle
Interface	MCX Female	see page 130

Order code Product name

1032350	HF860QMAf016G730MCXfP
---------	-----------------------

Series drawing

All measurements are in mm.



Radio Frequency performance

Typical insertion loss	DC	3 GHz
	up to 3 GHz	up to 6 GHz
Maximum	0.08 dB	0.22 dB
Typical return loss	DC	3 GHz
	up to 3 GHz	up to 6 GHz
Minimum	26 dB	17 dB

This table shows the reference values in the middle and at the end of the recommended frequency.



HF860

2 GHz | R-NTC Female

Electrical specifications

Temperature [°C]	-45°...+100°
Current INTERNAL [A]	3
Current CIRCULAR [A]	10
Impedance [Ohm]	50
Frequency [GHz]	2

Mechanical specifications

	SIGNAL	GROUND
Preload (cN)	75	90
Spring force at nt (cN ±20%)	130	320
Nominal travel (mm)	2.0	3.0
Maximum travel (mm)	3.7	4.0

Materials and plating

Contact SIGNAL	BeCu	gold plated
Contact GROUND	BeCu	gold plated
Barrel	Brass	gold plated
Spring SIGNAL	Stainless steel	unplated
Spring GROUND	Stainless steel	unplated
Receptacle	Brass	gold plated

Accessories

Receptacles H860 see page 132.

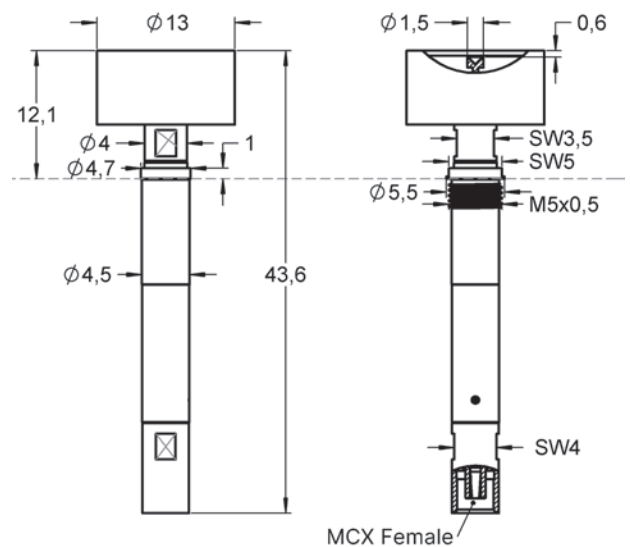
1017393	FEWZ-822E0	Insertion tool receptacle
1012578	F08605B150G130	Inner pin
1035933	FZWZ-005	Assembly tool
Interface	MCX Female	see page 130

Order code Product name

1039072	HF860RTNCf012G450MCXfS
1036849	HF860RTNCf012G450MCXfP

Series drawing

All measurements are in mm.



Radio Frequency performance

Typical insertion loss	DC	3 GHz
	up to 3 GHz	up to 6 GHz
Maximum	0.12 dB	0.32 dB
Typical return loss	DC	3 GHz
	up to 3 GHz	up to 6 GHz
Minimum	18 dB	13 dB

This table shows the reference values in the middle and at the end of the recommended frequency.



HF860

6 GHz | N-Female

Electrical specifications

Temperature [°C]	-45°...+100°
Current INTERNAL [A]	3
Current CIRCULAR [A]	10
Impedance [Ohm]	50
Frequency [GHz]	6

Mechanical specifications

	SIGNAL	GROUND
Preload (cN)	75	90
Spring force at nt (cN ±20%)	130	300
Nominal travel (mm)	2.0	2.7
Maximum travel (mm)	2.7	3.3

Materials and plating

Contact SIGNAL	BeCu	gold plated
Contact GROUND	BeCu	gold plated
Barrel	Brass	gold plated
Spring SIGNAL	Spring steel	gold plated
Spring GROUND	Stainless steel	unplated
Receptacle	Brass	gold plated

Accessories

Receptacles H860 see page 132.

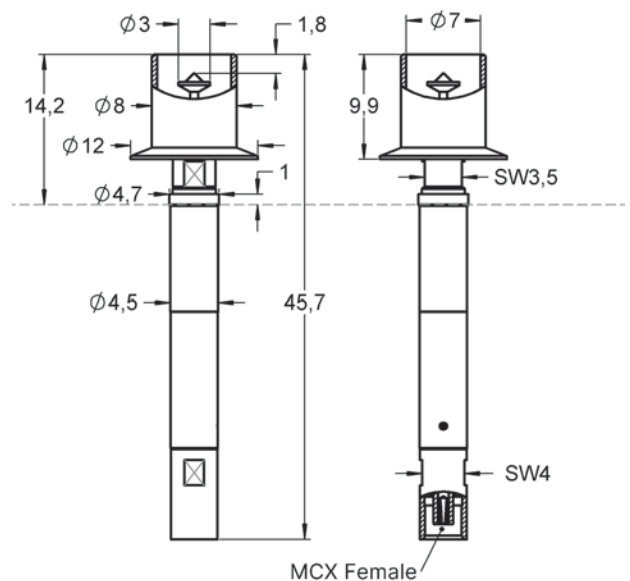
1017393	FEWZ-822E0	Insertion tool receptacle
1034753	F08602B-080G130L360	Inner pin
1035933	FZWZ-005	Assembly tool
Interface	MCX Female	see page 130

Order code Product name

1033766	HF860Nf016G430MCXfP
---------	---------------------

Series drawing

All measurements are in mm.



Radio Frequency performance

Typical insertion loss	DC	3 GHz
	up to 3 GHz	up to 6 GHz
Maximum	0.10 dB	0.16 dB
Typical return loss	DC	3 GHz
	up to 3 GHz	up to 6 GHz
Minimum	26 dB	25 dB

This table shows the reference values in the middle and at the end of the recommended frequency.



HF860

2 GHz | FME Male

Electrical specifications

Temperature [°C]	-45°...+100°
Current INTERNAL [A]	3
Current CIRCULAR [A]	10
Impedance [Ohm]	50
Frequency [GHz]	2

Mechanical specifications

	SIGNAL	GROUND
Preload (cN)	115	400
Spring force at nt (cN ±20%)	190	600
Nominal travel (mm)	2.0	4.0
Maximum travel (mm)	3.7	5.0

Materials and plating

Contact SIGNAL	BeCu	gold plated
Contact GROUND	BeCu	gold plated
Barrel	Brass	gold plated
Spring SIGNAL	Spring steel	gold plated
Spring GROUND	Stainless steel	unplated
Receptacle	Brass	gold plated

Accessories

Receptacles H860 see page 132.

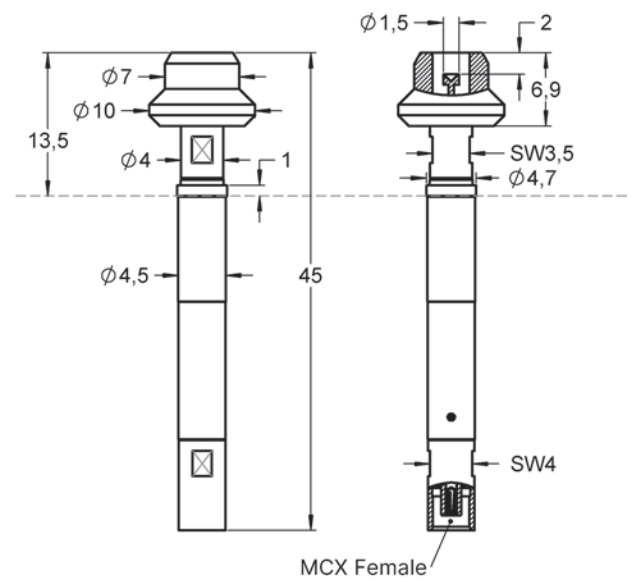
1017393	FEWZ-822E0	Insertion tool receptacle
1032932	F08605B150G190	Inner pin
1035933	FZWZ-005	Assembly tool
Interface	MCX Female	see page 130

Order code Product name

1032933	HF860FME012G790MCXFP
---------	----------------------

Series drawing

All measurements are in mm.



Radio Frequency performance

Typical insertion loss	DC	3 GHz
	up to 3 GHz	up to 6 GHz
Maximum	0.18 dB	0.40 dB
Typical return loss	DC	3 GHz
	up to 3 GHz	up to 6 GHz
Minimum	17 dB	12 dB

This table shows the reference values in the middle and at the end of the recommended frequency.



HF860

8 GHz | SMA Female

Electrical specifications

Temperature [°C]	-45°...+100°
Current INTERNAL [A]	3
Current CIRCULAR [A]	10
Impedance [Ohm]	50
Frequency [GHz]	8

Mechanical specifications

	SIGNAL	GROUND
Preload (cN)	75 / 115	90 / 450
Spring force at nt (cN ±20%)	130 / 190	400 / 800
Nominal travel (mm)	2.0	4.0
Maximum travel (mm)	3.7	5.0

Materials and plating

Contact SIGNAL	BeCu	gold plated
Contact GROUND	BeCu	gold plated
Barrel	Brass	gold plated
Spring SIGNAL	Spring steel	gold plated
Spring GROUND	Stainless steel	unplated
Receptacle	Brass	gold plated

Accessories

Receptacles H860 see page 132.

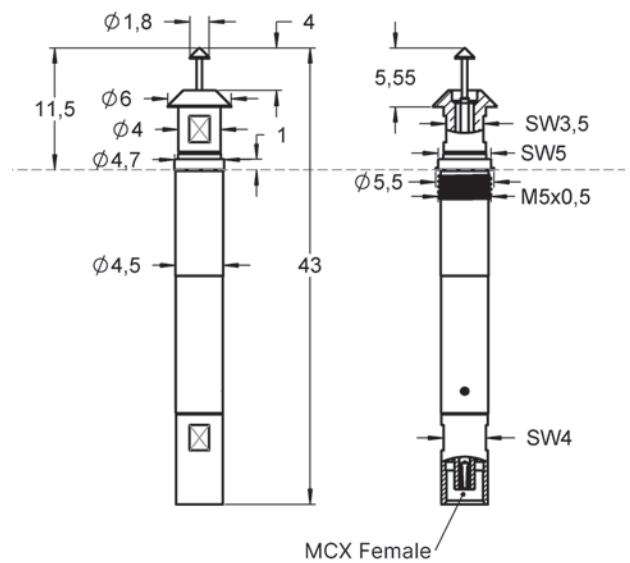
1017393	FEWZ-822E0	Insertion tool receptacle
1012575	F08602B180G130	Inner pin
1035933	FZWZ-005	Assembly tool
Interface	MCX Female	see page 130

Order code Product name

1038913	HF860SMAf018G530MCXfS
1012583	HF860SMAf018G530MCXfP
1038922	HF860SMAf018G990MCXfS
1033156	HF860SMAf018G990MCXfP

Series drawing

All measurements are in mm.



Radio Frequency performance

Typical insertion loss	DC up to 3 GHz	3 GHz up to 6 GHz
Maximum	0.1 dB	0.2 dB
Typical return loss	DC up to 3 GHz	3 GHz up to 6 GHz
Minimum	22 dB	16 dB

This table shows the reference values in the middle and at the end of the recommended frequency.



HF860

6 GHz | R-SMA Female

Electrical specifications

Temperature [°C]	-45°...+100°
Current INTERNAL [A]	3
Current CIRCULAR [A]	10
Impedance [Ohm]	50
Frequency [GHz]	6

Mechanical specifications

	SIGNAL	GROUND
Preload (cN)	75 / 115	90
Spring force at nt (cN ±20%)	130 / 190	400
Nominal travel (mm)	2.0	4.0
Maximum travel (mm)	3.7	5.0

Materials and plating

Contact SIGNAL	BeCu	gold plated
Contact GROUND	BeCu	gold plated
Barrel	Brass	gold plated
Spring SIGNAL	Spring steel	gold plated
Spring GROUND	Stainless steel	unplated
Receptacle	Brass	gold plated

Accessories

Receptacles H860 see page 132.

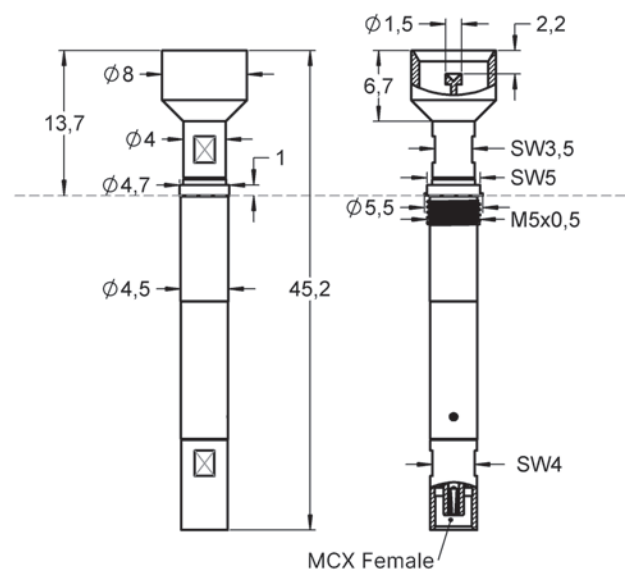
1017393	FEWZ-822E0	Insertion tool receptacle
1012578	F08605B150G130	Inner pin
1035933	FZWZ-005	Assembly tool
Interface	MCX Female	see page 130

Order code Product name

1133017	HF860RSMaf016G590MCxfP
1032627	HF860RSMaf016G530MCxfP
1039071	HF860RSMaf016G530MCxfS

Series drawing

All measurements are in mm.



Radio Frequency performance

Typical insertion loss	DC	3 GHz
	up to 3 GHz	up to 6 GHz
Maximum	0.20 dB	0.30 dB
Typical return loss	DC	3 GHz
	up to 3 GHz	up to 6 GHz
Minimum	25 dB	26 dB

This table shows the reference values in the middle and at the end of the recommended frequency.



HF860

5 GHz | SMB Male

Electrical specifications

Temperature [°C]	-45°...+100°
Current INTERNAL [A]	3
Current CIRCULAR [A]	10
Impedance [Ohm]	50
Frequency [GHz]	5

Mechanical specifications

	SIGNAL	GROUND
Preload (cN)	75	90
Spring force at nt (cN ±20%)	130	400
Nominal travel (mm)	2.0	4.0
Maximum travel (mm)	3.7	5.0

Materials and plating

Contact SIGNAL	BeCu	gold plated
Contact GROUND	BeCu	gold plated
Barrel	Brass	gold plated
Spring SIGNAL	Spring steel	gold plated
Spring GROUND	Stainless steel	unplated
Receptacle	Brass	gold plated

Accessories

Receptacles H860 see page 132.

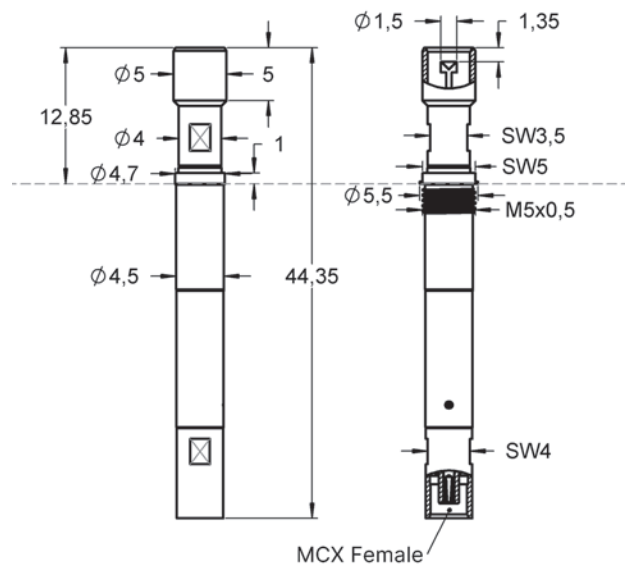
1017393	FEWZ-822E0	Insertion tool receptacle
1012578	F08605B150G130	Inner pin
1035933	FZWZ-005	Assembly tool
Interface	MCX Female	see page 130

Order code Product name

1039105	HF860SMBm015G530MCXfS
1012586	HF860SMBm015G530MCXfP

Series drawing

All measurements are in mm.



Radio Frequency performance

Typical insertion loss	DC	3 GHz
	up to 3 GHz	up to 6 GHz
Maximum	0.10 dB	0.35 dB
Typical return loss	DC	3 GHz
	up to 3 GHz	up to 6 GHz
Minimum	15 dB	10 dB

This table shows the reference values in the middle and at the end of the recommended frequency.



HF860

6 GHz | SMB Female

Electrical specifications

Temperature [°C]	-45°...+100°
Current INTERNAL [A]	3
Current CIRCULAR [A]	10
Impedance [Ohm]	50
Frequency [GHz]	6

Mechanical specifications

	SIGNAL	GROUND
Preload (cN)	75	90
Spring force at nt (cN ±20%)	130	400
Nominal travel (mm)	2.0	4.0
Maximum travel (mm)	3.7	5.0

Materials and plating

Contact SIGNAL	BeCu	gold plated
Contact GROUND	BeCu	gold plated
Barrel	Brass	gold plated
Spring SIGNAL	Spring steel	gold plated
Spring GROUND	Stainless steel	unplated
Receptacle	Brass	gold plated

Accessories

Receptacles H860 see page 132.

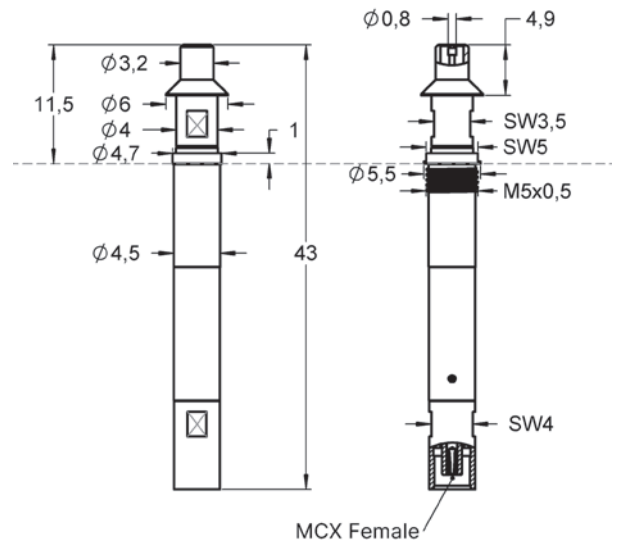
1017393	FEWZ-822E0	Insertion tool receptacle
1012603	F08602B080G130	Inner pin
1035933	FZWZ-005	Assembly tool
Interface	MCX Female	see page 130

Order code Product name

1038930	HF860SMBf016G530MCXfS
1012587	HF860SMBf018G530MCXfP

Series drawing

All measurements are in mm.



Radio Frequency performance

Typical insertion loss	DC	3 GHz
	up to 3 GHz	up to 6 GHz
Maximum	0.70 dB	0.70 dB
Typical return loss	DC	3 GHz
	up to 3 GHz	up to 6 GHz
Minimum	18 dB	14 dB

This table shows the reference values in the middle and at the end of the recommended frequency.



HF860

6 GHz | mSMP Male / SSMP / GPPO

Electrical specifications

Temperature [°C]	-45°...+100°
Current INTERNAL [A]	3
Current CIRCULAR [A]	10
Impedance [Ohm]	50
Frequency [GHz]	6

Mechanical specifications

	SIGNAL	GROUND
Preload (cN)	100	90
Spring force at nt (cN ±20%)	130	400
Nominal travel (mm)	1.0	4.0
Maximum travel (mm)	1.7	5.0

Materials and plating

Contact SIGNAL	BeCu	gold plated
Contact GROUND	BeCu	gold plated
Barrel	Brass	gold plated
Spring SIGNAL	Spring steel	gold plated
Spring GROUND	Stainless steel	unplated
Receptacle	Brass	gold plated

Accessories

Receptacles H860 see page 132.

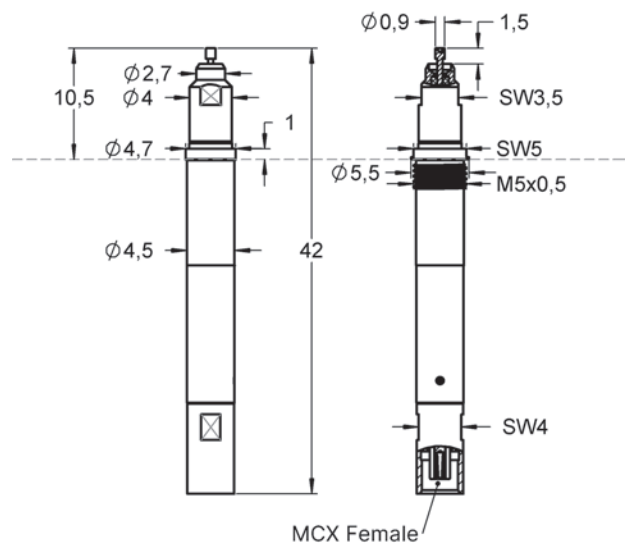
1017393	FEWZ-822E0	Insertion tool receptacle
1012603	F08602B080G130	Inner pin
1035933	FZWZ-005	Assembly tool
Interface	MCX Female	see page 130

Order code Product name

1039073	HF860MSMPm016G530MCXfS
1032010	HF860MSMPm016G530MCXfP

Series drawing

All measurements are in mm.



Radio Frequency performance

Typical insertion loss	DC	3 GHz
	up to 3 GHz	up to 6 GHz
Maximum	0.08 dB	0.20 dB
Typical return loss	DC	3 GHz
	up to 3 GHz	up to 6 GHz
Minimum	30 dB	18 dB

This table shows the reference values in the middle and at the end of the recommended frequency.



HF860

5 GHz | SMC Male

Electrical specifications

Temperature [°C]	-45°...+100°
Current INTERNAL [A]	3
Current CIRCULAR [A]	10
Impedance [Ohm]	50
Frequency [GHz]	5

Mechanical specifications

	SIGNAL	GROUND
Preload (cN)	75	90
Spring force at nt (cN ±20%)	130	400
Nominal travel (mm)	2.0	4.0
Maximum travel (mm)	3.7	5.0

Materials and plating

Contact SIGNAL	BeCu	gold plated
Contact GROUND	BeCu	gold plated
Barrel	Brass	gold plated
Spring SIGNAL	Spring steel	gold plated
Spring GROUND	Stainless steel	unplated
Receptacle	Brass	gold plated

Accessories

Receptacles H860 see page 132.

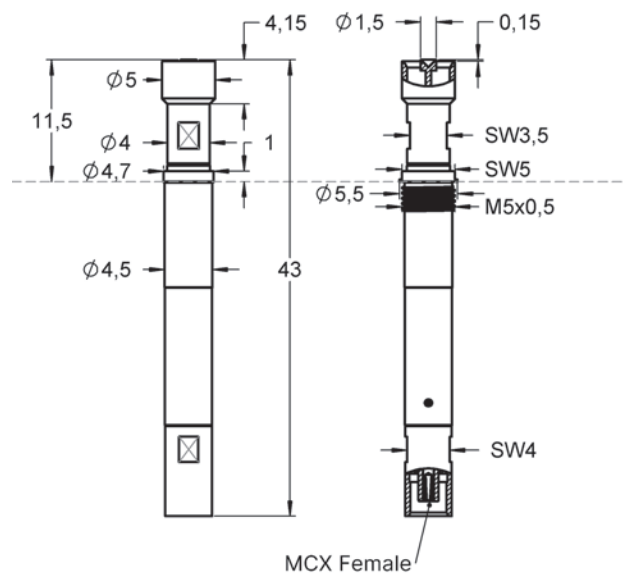
1017393	FEWZ-822E0	Insertion tool receptacle
1012578	F08605B150G130	Inner pin
1035933	FZWZ-005	Assembly tool
Interface	MCX Female	see page 130

Order code Product name

1039106	HF860SMCm015G530MCXfS
1012585	HF860SMCm015G530MCXfP

Series drawing

All measurements are in mm.



Radio Frequency performance

Typical insertion loss	DC	3 GHz
	up to 3 GHz	up to 6 GHz
Maximum	0.42 dB	0.62 dB
Typical return loss	DC	3 GHz
	up to 3 GHz	up to 6 GHz
Minimum	23 dB	19 dB

This table shows the reference values in the middle and at the end of the recommended frequency.