

# POGO CONNECTORS



## P125B-L027

1.90 mm / 75 mil Pitch |  $R < 30 \text{ m}\Omega$  | Solder tight

### Electrical specifications

Temperature [°C]	-45°...+200°
Current [A]	4
$R_{TYP}$ [mOhm]	<30

### Mechanical specifications

Preload [cN]	25
Spring force [cN] at nt $\pm 20\%$	30
Nominal travel [mm]	0.15
Maximum travel [mm]	0.60

### Materials and plating

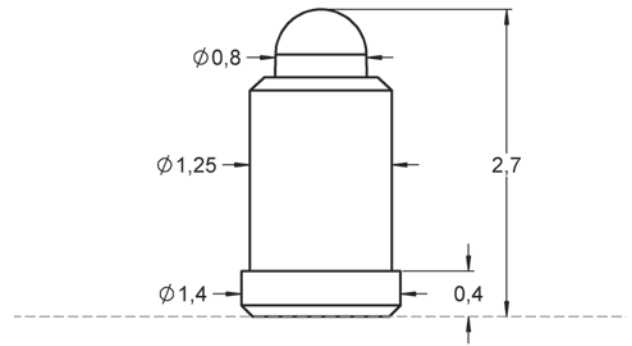
Plunger	BeCu	gold plated
Barrel	Brass	gold plated
Spring	Stainless steel	unplated


### Drill size recommendation (mm)

Equal barrel- $\emptyset$	1.23 - 1.25
---------------------------	-------------

### Series drawing

All measurements are in mm.



Order code	Product name	Tip Style	Material	$\emptyset$ in mm	Plating	FM Choice
1023476	P12511M080G030BL027ST	11 	M	0.80	G	-