

# POGO CONNECTORS

FM Choice

## P197M-L074

3.00 mm / 118 mil Pitch |  
R < 100 mOhm | Solder tight



### Electrical specifications

Temperature [°C]	-45°...+200°
Current [A]	10
R <sub>TYP</sub> [mOhm]	<30

### Mechanical specifications

Preload [cN]	10
Spring force [cN] at nt ±20%	20
Nominal travel [mm]	0.6
Maximum travel [mm]	1.0

### Materials and plating

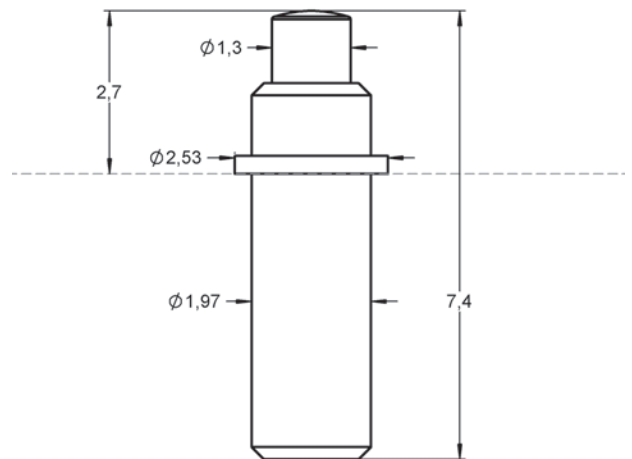
Plunger	BeCu	gold plated
Barrel	Brass	gold plated
Spring	Stainless steel	unplated



### Drill size recommendation (mm)

Equal barrel-Ø	1.96 - 1.97
----------------	-------------

### Series drawing

All measurements are in mm.



Order code	Product name	Tip Style	Material	Ø in mm	Plating	FM Choice
1018438	P19711B130G020ML074ST	11 	B	1.30	G	

# POGO CONNECTORS



## P197M-L100

4.50 mm / 177 mil Pitch |  
R < 30 mOhm | Solder tight

### Electrical specifications

Temperature [°C]	-45°...+200°
Current [A]	9
R <sub>TYP</sub> [mOhm]	<30

### Mechanical specifications

Preload [cN]	80
Spring force [cN] at nt ±20%	170
Nominal travel [mm]	1.7
Maximum travel [mm]	2.5

### Materials and plating

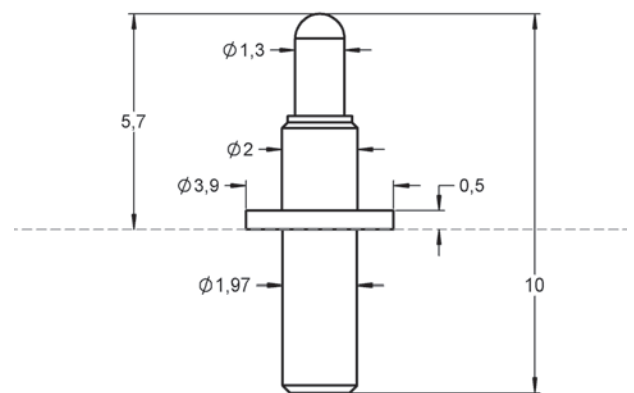
Plunger	BeCu	gold plated
Barrel	Brass	gold plated
Spring	Stainless steel	unplated


### Drill size recommendation (mm)

Equal barrel-Ø	1.96 - 1.97
----------------	-------------

### Series drawing

All measurements are in mm.



Order code	Product name	Tip Style	Material	Ø in mm	Plating	FM Choice
1017964	P19711B130G170ML100ST	11 	B	1.30	G	-

# POGO CONNECTORS



## P197M-L150

4.50 mm / 177 mil Pitch |  
R < 30 mOhm | Solder tight

### Electrical specifications

Temperature [°C]	-45°...+200°
Current [A]	9
R <sub>TYP</sub> [mOhm]	<30

### Mechanical specifications

Preload [cN]	20
Spring force [cN] at nt ±20%	40
Nominal travel [mm]	1.7
Maximum travel [mm]	2.5

### Materials and plating

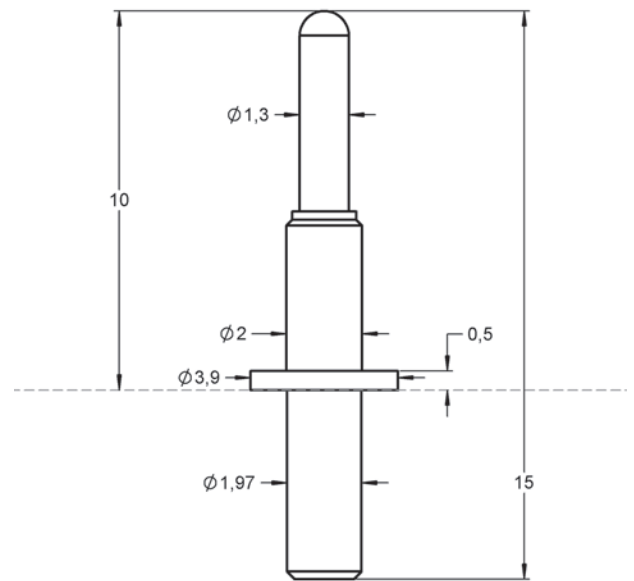
Plunger	BeCu	gold plated
Barrel	Brass	gold plated
Spring	Spring steel	silver plated

### Drill size recommendation (mm)

Equal barrel-Ø	1.96 - 1.97
----------------	-------------

### Series drawing

All measurements are in mm.



Order code	Product name	Tip Style	Material	Ø in mm	Plating	FM Choice
1017925	P19711B130G040ML150ST	11 	B	1.30	G	-