



Pogo Connectors

P26506B230G150TL150ST

Item number 1018268

General

Design	Basic Contact Probe
Type/family	P-T / P265T-L150
Pitch (mm/mil)	4,00 / 157
Temperature [C°]	-45°C...+200°C

Electrical specifications

Continuous current (A)	10.00
Typical contact resistance (mOhm)	100.00

Mechanical specifications

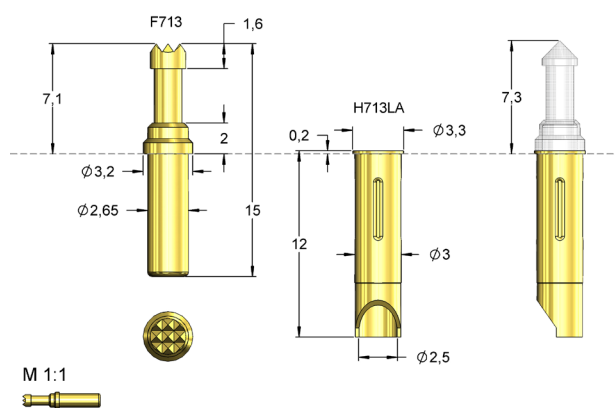
Preload (cN)	70.00
Spring force (cN)	150.00
Nominal travel (mm)	2.80
Maximum travel (mm)	3.50
Pointing accuracy +/- (mm)	0.10

Dimensions

Total length (mm)	15.00
Projection height (mm)	7.10
Tip style diameter (mm)	2.30
Barrel diameter (mm)	2.65
Collar diameter (mm)	3.20
Press ring diameter (mm)	3.20

Family drawing

All measurements are in mm.



Materials & surfaces

Tip style	06
Tip style material	Beryllium cooper
Tip style plating	Gold
Plunger material	Cooper
Plunger plating	Gold
Barrel material	Brass
Barrel plating	Gold
Spring material	High-grade steel
Spring plating	Uncoated