

POGO CONNECTORS



P265M-L150

4.00 mm / 157 mil Pitch |
R < 100 mOhm | Solder tight

Electrical specifications

Temperature [°C]	-45°...+200°	
Current [A]	10	
R _{TYP} [mOhm]	<100	

Mechanical specifications

Preload [cN]	40	70
Spring force [cN] at nt ±20%	80	150
Nominal travel [mm]	2.8	2.8
Maximum travel [mm]	3.5	3.5

Materials and plating

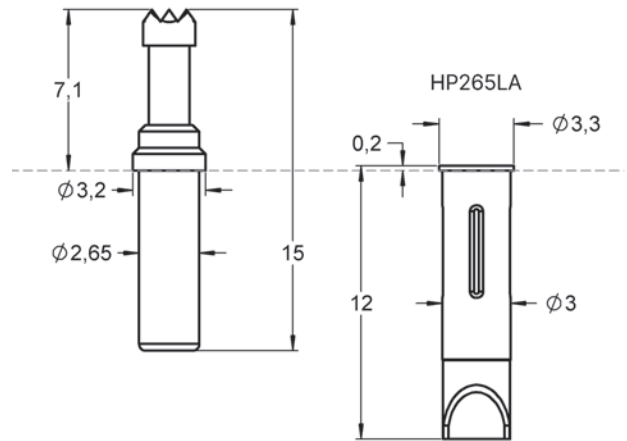
Plunger	BeCu	gold plated
Barrel	Brass	gold plated
Spring	Stainless steel	unplated
Receptacle	Bronze	gold plated

Accessories

1131050	HP265LA	Receptacle
1020511	FEWZ-702E0	Insertion tool receptacle
1003566	FDWZ-100	Insertion tool probe

Series drawing

All measurements are in mm.



Drill size recommendation (mm)

Receptacle	2.98 - 2.99
Equal barrel-Ø	2.64 - 2.65

Order code	Product name	Tip Style	Material	Ø in mm	Plating	FM Choice
1043615	P26502B230G080ML150	02	B	1.30	G	-
1018267	P26506B230G080ML150	06	B	1.30	G	-
1018268	P26506B230G150ML150	06	B	1.30	G	-
1018230	P26512B230G150ML150	12	B	1.30	G	
1020253	P26512E230U150TL150ST *	12	B	1.30	G	
1018231	P26517B230G150ML150	17	B	1.30	G	

* The probe P26512E230G150ML150 with plunger made of stainless steel has different electrical values. Information for a suitable threaded version is available, see F723.